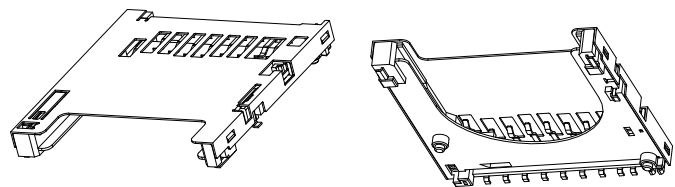


NOTES:

- SPECIFICATIONS: (OPTION)
 ELECTRICAL:
 RATING CURRENT: 0.5 A
 INSULATION RESISTANCE: 1000MΩ Min. at 100V DC
 CONTACT RESISTANCE: 100 mΩ Max.
 WITHSTANDING VOLTAGE: 500V AC
 MECHANICAL:
 CONTACT RETENTION Force: 0.25kgf MIN.
 INSERTION FORCE: 4.2kgf MAX.
 WITHDRAWAL FORCE: 0.21kgf MIN.
 Durability:10,000 times



ITEM 項目	PARTS NAME 零件名稱	MATERIAL 材質	FINISH/REMARK 處理/備註
A	HOUSING	LCP	UL 94V-0,BLACK
B	SHELL	STAINLESS T=0.2	NON-PLATING
C	HOLDDOWN CONTACT	PHOSHPOR T=0.20	100μ*MIN. TIN PLATING ON SOLDER TAIL AREA 50μ*MIN. NICKEL UPDERPLATING OVERALL
D	CAM PIN	STAINLESS Ø0.4	NON-PLATING
E	CARD LOCK	PHOSHPOR BRONZE T=0.20	100μ*MIN. TIN PLATING 50μ*MIN. NICKEL UPDERPLATING OVERALL
F	SLIDER CAM	LCP	UL 94V-0,BLACK
G	SPRING	SWP Ø0.25	50μ*MIN. NICKEL UPDERPLATING OVERALL
H	CONTACT-SD	PHOSHPOR BRONZE T=0.20	5μ*MIN. GOLD PLATING ON CONTACT AREA 100μ*MIN. TIN PLATING 50μ*MIN. NICKEL UPDERPLATING OVERALL
I	PROTECT CONTACT		
J	PROTECT CONTACT AND DETECT CONTACT-SWITCH		
K	DETECT CONTACT		

- WHEN DELIVERING, THE PSH/PUSH MECHANISM IS IN THE STATE OF THE UNLOCK.
(CARD DASHING OUT POSITION)
- CARD READ ONLY BY THE TIME THE CARD DETECTION SWITCH WORKS.
- OPEN AND CLOSE OF EACH SWITCH.

CARD INSERTION STATUS	WRITE PROTECT SWITCH		DETECT SWITCH
	WRITE PROTECT POSITION	WRITE ENABLE POSITION	
CARD UNINSERTION	OPEN	OPEN	OPEN
CARD HALF INSERTION	COLSE	COLSE	OPEN
CARD INSERTION	OPEN	COLSE	COLSE

5.PART NO. Ordering Info.: B W 1 4 6 - 0 0 1 3 - 0 1

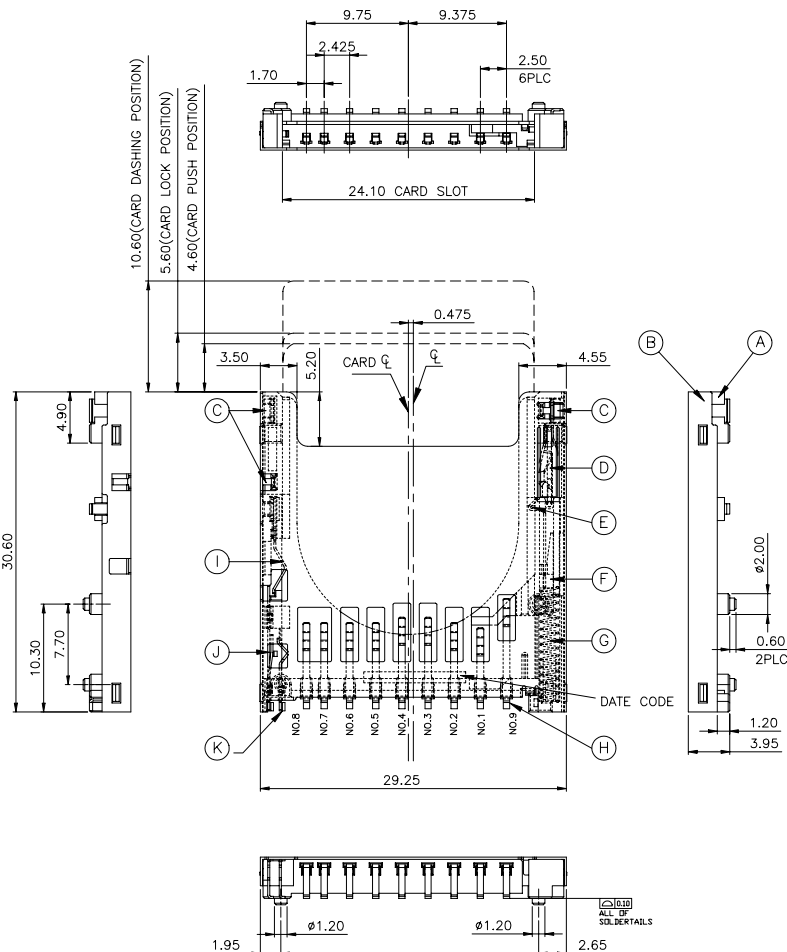
SERIES NO. STAND OFF
 1..... 1.2mm

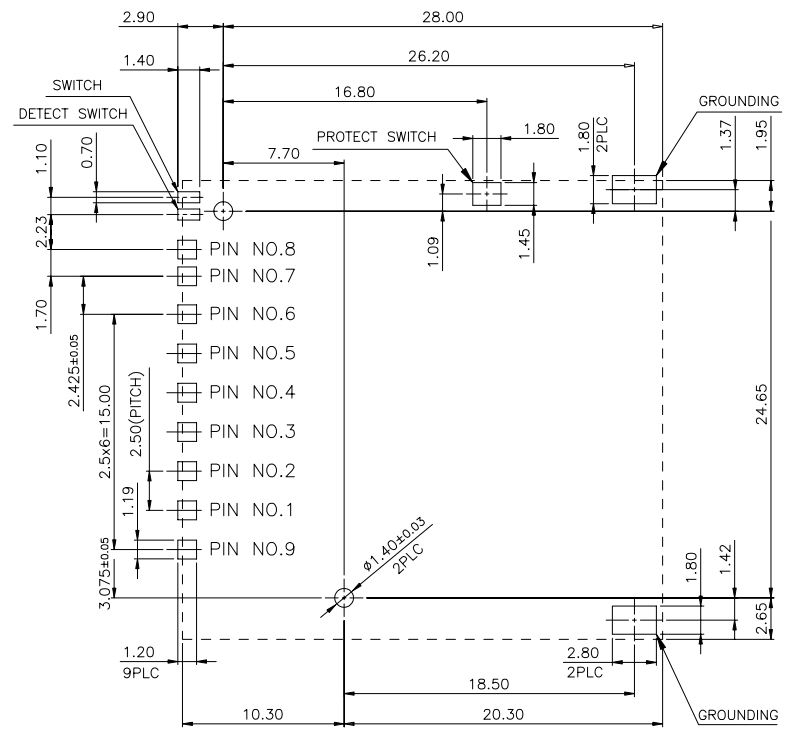
PACKING TYPE
 1..... reel

INSULATOR COLOR
 0..... black

GOLD PLATING IN CONTACT AREA
 3..... 0.13um(5u") Au

EC NO: DRWN: CHKD: APPR:	DESCRIPTION	GENERAL TOLERANCES (UNLESS SPECIFIED)		SCALE N/A	DESIGN UNITS METRIC	WISE POWER TECH.CO.LTD		
			mm	INCH	THIRD ANGLE PROJECTION	TITLE		
		4 PLACES	± ---	± ---		SD/10 CARD CONN STAND OFF 1.2mm REVERSE TYPE WITH PUSH PUSH		
		3 PLACES	± 0.20	± ---	DRAWN BY	DATE	SYMBOLS MAJOR CRITICAL QUALITY ☒=0 ☒=0 REVERSE ON CAD ONLY	
2 PLACES	± 0.30	± ---	CHECKED BY	DATE	PART NO. BW146-0013-01	DOCUMENT NO. BW146-0013-01	SHEET NO. 1 OF 3	
1 PLACE	± 0.50	± ---	APPROVED BY	DATE				
ANGULAR ± 5°								



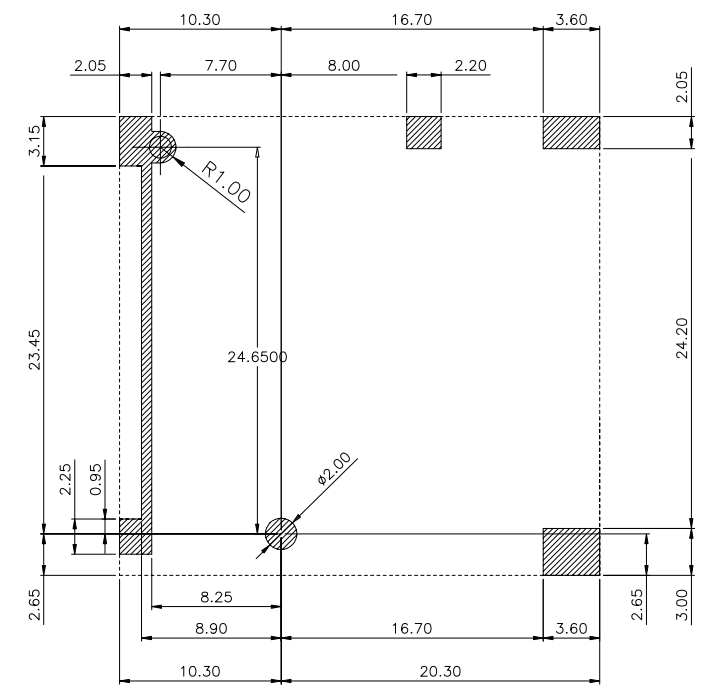


RECOMMENDED PCB LAYOUT

PCB TOLERANCE:±0.05

PIN DEFINE

PAD NO.	MEMORY CARD
SD-01	SD-CD/DAT3
SD-02	SD-CMD
SD-03	SD-VSS
SD-04	SD-VDD
SD-05	SD-CLK
SD-06	SD-VSS
SD-07	SD-DAT0
SD-08	SD-DAT1
SD-09	SD-DAT2

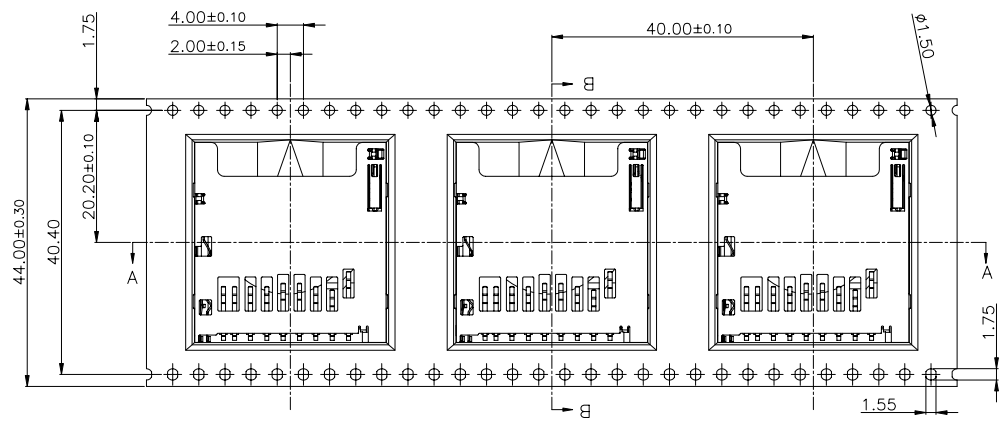
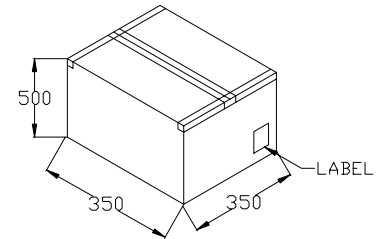
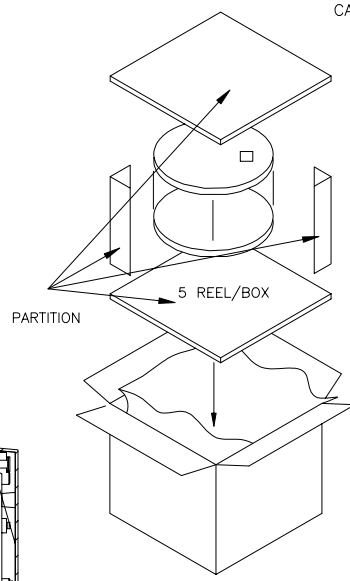
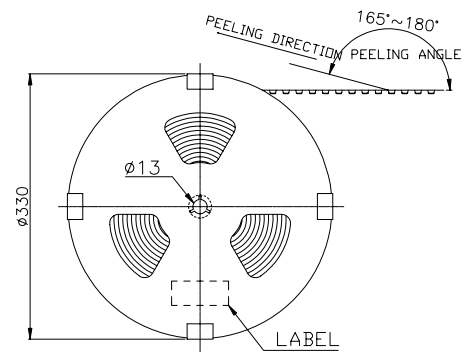
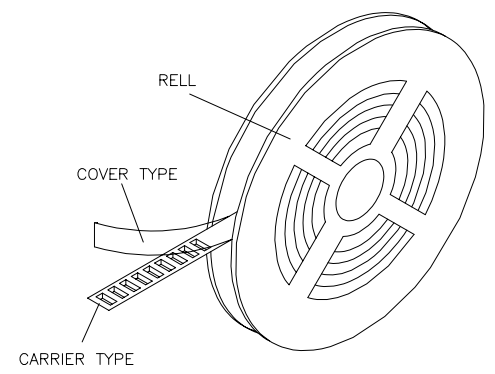
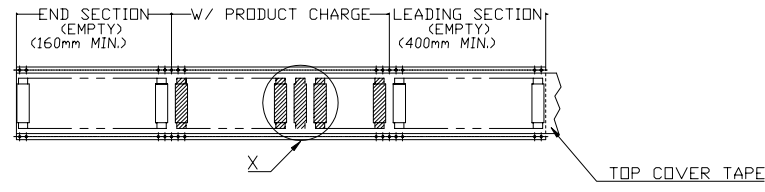
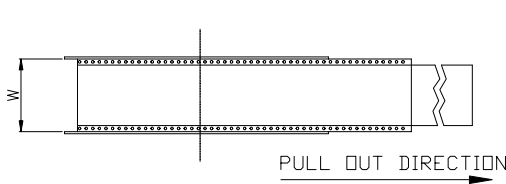


STAND OFF AREA FOR PATTERN PROHIBITION

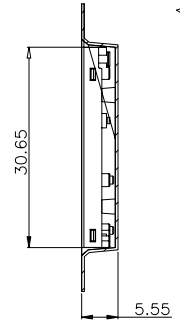
EC NO: A	DRWN: CHIKO: APPR:	DESCRIPTION	GENERAL TOLERANCES (UNLESS SPECIFIED)		SCALE N/A	DESIGN UNITS METRIC	WISE POWER TECH.CO.LTD		
			mm	INCH			TITLE		
			4 PLACES	± ---	± ---	THIRD ANGLE PROJECTION	RECOMMEND PCB LAYOUT		
			3 PLACES	± 0.05	± ---		DRAWN BY DATE	SYMBOLS MAJOR CRITICAL QUALITY ☒=0 ☒=0	
2 PLACES	± 0.10	± ---	CHECKED BY DATE	REVISE ON CAD ONLY					
1 PLACE	± 0.20	± ---		APPROVED BY DATE	PART NO. BW146-0013-01	DOCUMENT NO. BW146-0013-01	SHEET NO. 2 OF 3		
ANGULAR ± 5°									

10 9 8 7 6 5 4 3 2 1

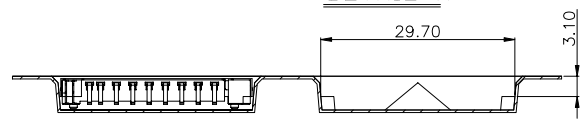
F
E
D
C
B
A



DETAIL X



SECTION B-B



SECTION A-A

- NOTES
 1.MATERIAL: PS (Color: black)
 2.DEFORMATION(變形)&DAMAGE(損壞): NA.(不可)
 3.PACKING: 250 PCS/REEL : 5 PCS REEL/BOX

EC NO: A	DRWN: CHIKO: APPR:	DESCRIPTION	GENERAL TOLERANCES (UNLESS SPECIFIED)		SCALE N/A	DESIGN UNITS METRIC	WISE POWER TECH.CO.LTD		
			mm	INCH			TITLE		
			4 PLACES	± ---	± ---	THIRD ANGLE PROJECTION	PACKING DRAWING		
			3 PLACES	± 0.10	± ---		SYMBOLS QUALITY	MAJOR	CRITICAL
2 PLACES	± 0.25	± ---	☒ = 0	▨ = 0					
1 PLACE	± 0.40	± ---	CHECKED BY	DATE	PART NO. BW146-0013-01	DOCUMENT NO. BW146-0013-01	SHEET NO. 3 OF 3		
		ANGULAR ± 2°	APPROVED BY	DATE					

10 9 8 7 6 5 4 3 2 1