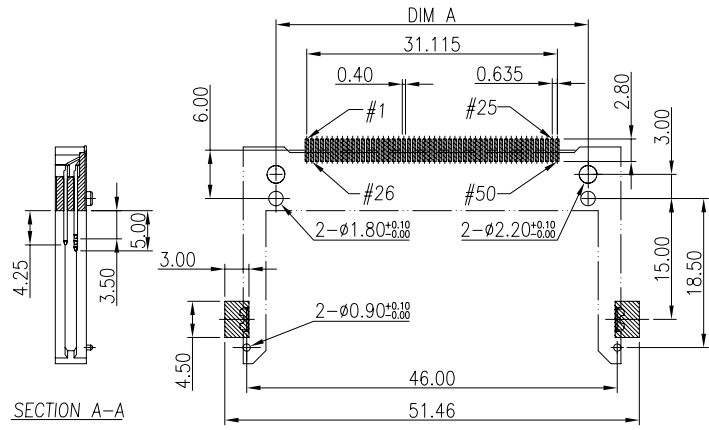
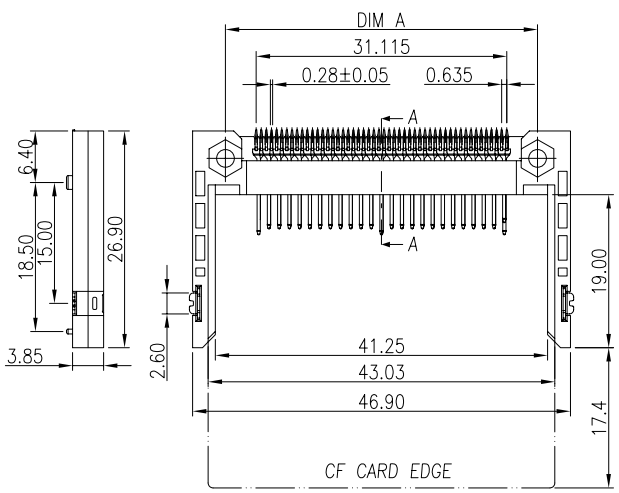
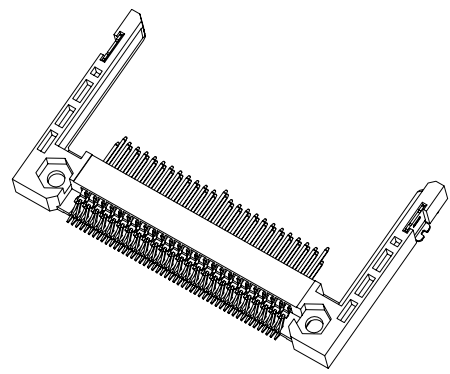
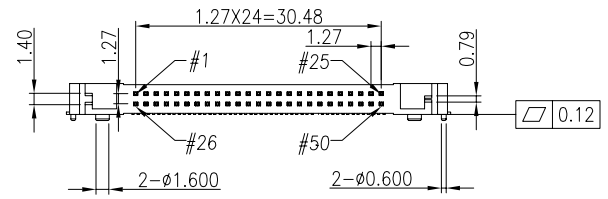


TABLE		
Pin Type	Interface Dim.	Pin No.
Detect	3.5mm (0.138In.)	25,26
General	4.25mm (0.167In.)	The others
Power	5.0mm (0.197In.)	01,13,38,50



- NOTES:
- MATERIAL  
HOUSING: HIGH TEMPERATURE THERMOPLASTIC.  
CONTACT: COPPER ALLOY.  
PED: COPPER ALLOY.
  - PLATING  
CONTACT AREA: GOLD PLATED OVER Ni.  
SOLDER TAIL: 100 u" MIN Sn/Pb PLATED OVER Ni.  
SPEC SEE ORDERING INFORMATION  
PED: 100 u" MIN Sn/Pb PLATED OVER Ni.  
SPEC SEE ORDERING INFORMATION
  - RATING  
CURRENT RATING: 0.5A  
VOLTAGE RATING: 250VRM  
OPERATING TEMPERATURE: -20°C ~60°C
  - SPECIFICATION  
CONTACT RESISTANCE: 40mΩ Max  
DIELECTRIC WITHSTANDING VOLTAGE: 500VAC  
INSULATION RESISTANCE: 100MΩ Min  
INSERTION FORCE: 28.8N MAX.  
SEPARATION FORCE: 4.9N MIN.



GENERAL TOLERANCES (UNLESS SPECIFIED)		SCALE N/A	DESIGN UNITS METRIC	WISE POWER TECH.CO.LTD	
	mm	INCH	THIRD ANGLE PROJECTION	TITLE	
4 PLACES	± 0.12	± 0.005	DRAWN BY _____ DATE _____	CF TYPE II TYPE 50PIN SLIM NORMAL TYPE	
3 PLACES	± 0.12	± 0.005		SYMBOLS MAJOR CRITICAL QUALITY $\square = 0$ $\square = 0$ REVISE ON CAD ONLY	
2 PLACES	± 0.25	± 0.010	CHECKED BY _____ DATE _____	PART NO.	DOCUMENT NO.
1 PLACE	± 0.40	± 0.015	APPROVED BY _____ DATE _____	BE283-0001-50	BE283-0001-50
ANGULAR ± 3°			03/30/2005	SHEET NO.	1 OF 1