

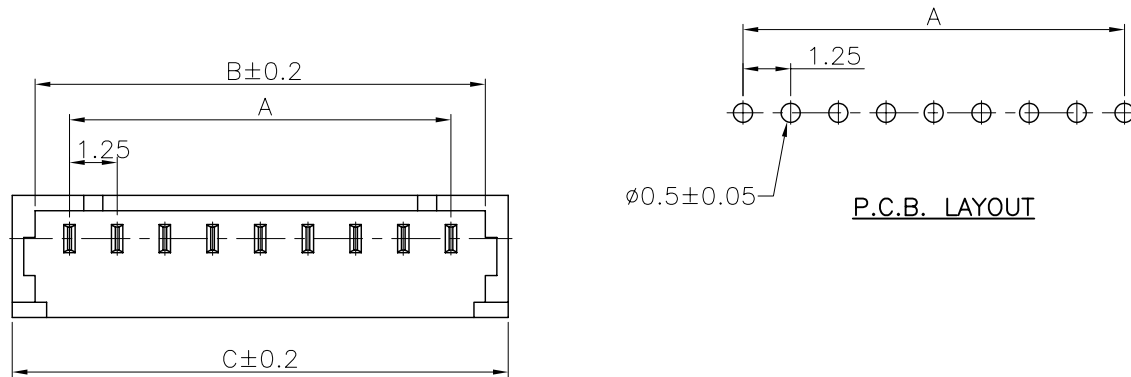
REV.	ECN.	DATE	DWN	APVD

MATERIAL:

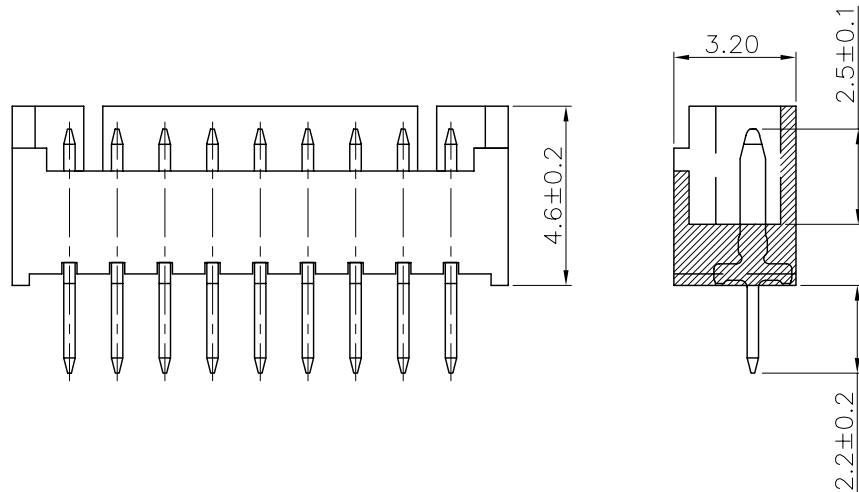
INSULATOR : NYLON 46, UL 94V-0
 CONTACT : COPPER ALLOY
 CONTACT FINISH : TIN OVER NICKEL PLATED

SPECIFICATION:

CURRENT RATING : 1A
 DIELECTRIC WITHSTANDING VOLTAGE : 250V AC PER MINUTE
 INSULATION RESISTANCE : 100MΩ MIN.
 CONTACT RESISTANCE : 20mΩ MAX.
 OPERATING TEMPERATURE : -25°C ~ +85°C.



P.C.B. LAYOUT



POSITION	A	B	C	POSITION	A	B	C
2	1.25	3.15	4.25	9	10.00	11.90	13.00
3	2.50	4.40	5.50	10	11.25	13.15	14.25
4	3.75	5.65	6.75	11	12.50	14.40	15.50
5	5.00	6.90	8.00	12	13.75	15.65	16.75
6	6.25	8.15	9.25	13	15.00	16.90	18.00
7	7.50	9.40	10.50	14	16.25	18.15	19.25
8	8.75	10.65	11.75	15	17.50	19.40	20.50

Order Information :

HWH11 - 09 1 T N C 03 - R
 1 2 3 4 5 6 7 8

1. SERIES NUMBER	HWH11 : 1.25mm PITCH WIRE TO BOARD WAFER STRAIGHT
2. POSITION	02 ~ 15
3. CONTACT MATERIAL	1 : COPPER ALLOY
4. CONTACT PLATING	T : TIN
5. INSULATOR COLOR	N : NATURE
6. INSULATOR MATERIAL	C : NYLON
7. PACKING	3 : BAG
8. GREEN PRODUCT	R : RoHS

 **維鼎股份有限公司**
WEKANG CO., LTD.
 TEL:886-2-26436301 FAX:886-2-26432714

SIZE A4	UNIT mm	SCALE 5/1	SHEET 1 OF 1	
------------	------------	--------------	-----------------	---

GENERAL TOLERANCE
 X.X ± 0.25
 X.XX ± 0.15
 X.XXX ± 0.05
 ANGLE TOLERANCE ± 1°
 RADIUS ± 0.25
 HOLE ± 0.13

DRAWN.	JEAN	DATE	12 - 30 - 2005	DRAWING NO.	HWH11-XX1TNC03-R	C04001
CHECKED.	HENRY	DATE	12 - 30 - 2005	TITLE.	1.25mm PITCH WIRE TO BOARD WAFER STRAIGHT	
APPROVED.	HENRY	DATE	12 - 30 - 2005	PART NO.	HWH11-XX1TNC03-R	REV A.0

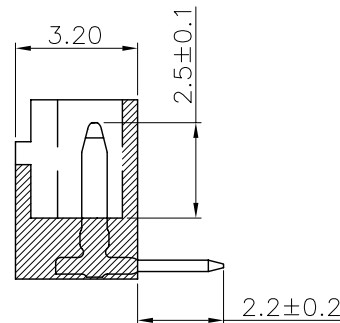
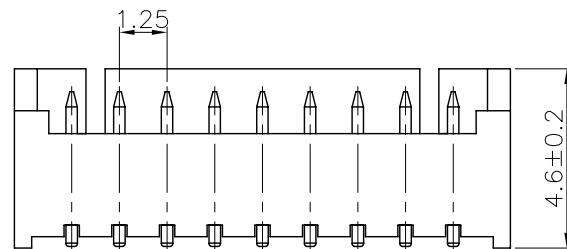
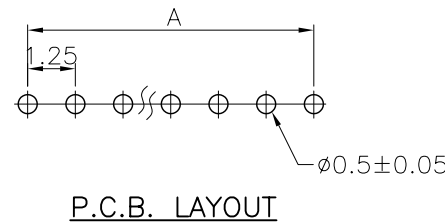
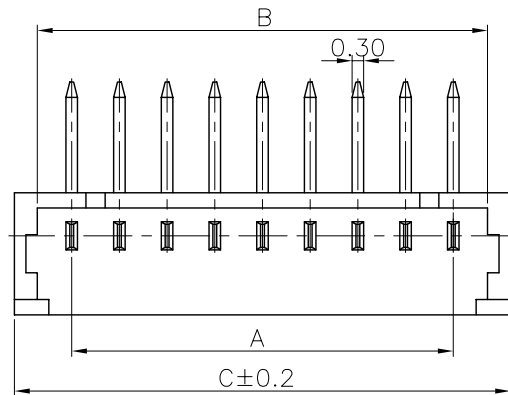
REV.	ECN.	DATE	DWN	APVD

MATERIAL:

INSULATOR : NYLON 46, UL 94V-0
 CONTACT : COPPER ALLOY
 CONTACT FINISH : TIN OVER NICKEL PLATED

SPECIFICATION:

CURRENT RATING : 1A
 DIELECTRIC WITHSTANDING VOLTAGE : 250V AC PER MINUTE
 INSULATION RESISTANCE : 100MΩ MIN.
 CONTACT RESISTANCE : 20mΩ MAX
 OPERATING TEMPERATURE : -25°C ~ +85°C.



Order Information :

HWH91 - 091 TNC0 3 - R
 1 2 3 4 5 6 7 8

1. SERIES NUMBER	HWH91 : 1.25mm PITCH WIRE TO BOARD WAFER RIGHT ANGLE
2. POSITION	02 ~ 15
3. CONTACT MATERIAL	1 : COPPER ALLOY
4. CONTACT PLATING	T : TIN
5. INSULATOR COLOR	N : NATURE
6. INSULATOR MATERIAL	C : NYLON
7. PACKING	3 : BAG
8. GREEN PRODUCT	R : RoHS

POSITION	A	B	C	POSITION	A	B	C
2	1.25	3.15	4.25	9	10.00	11.90	13.00
3	2.50	4.40	5.50	10	11.25	13.15	14.25
4	3.75	5.65	6.75	11	12.50	14.40	15.50
5	5.00	6.90	8.00	12	13.75	15.65	16.75
6	6.25	8.15	9.25	13	15.00	16.90	18.00
7	7.50	9.40	10.50	14	16.25	18.15	19.25
8	8.75	10.65	11.75	15	17.50	19.40	20.50

WEKANG
 維鼎股份有限公司
 WEKANG CO., LTD.
 TEL:886-2-26436301 FAX:886-2-26432714

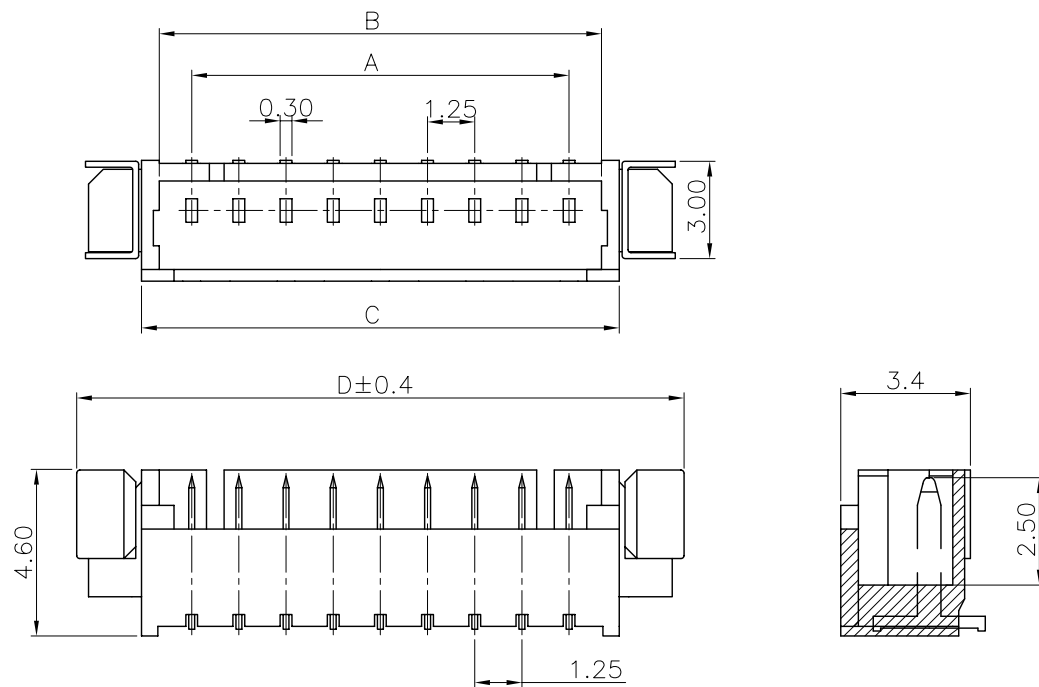
SIZE A4	UNIT mm	SCALE 5/1	SHEET 1 OF 1
---------	---------	-----------	--------------

GENERAL TOLERANCE
 X.X ±0.25
 X.XX ±0.15

ANGLE TOLERANCE ±1°
 RADIUS ±0.25
 HOLE ±0.13

DRAWN. JEAN	DATE 12-30-2005	DRAWING NO. HWH91-XX1TNC03-R	C04001
CHECKED. HENRY	DATE 12-30-2005	TITLE. 1.25mm PITCH WIRE TO BOARD WAFER RIGT ANGLE	
APPROVED. HENRY	DATE 12-30-2005	PART NO. HWH91-XX1TNC03-R	REV A.0

REV.	ECN.	DATE	DWN	APVD



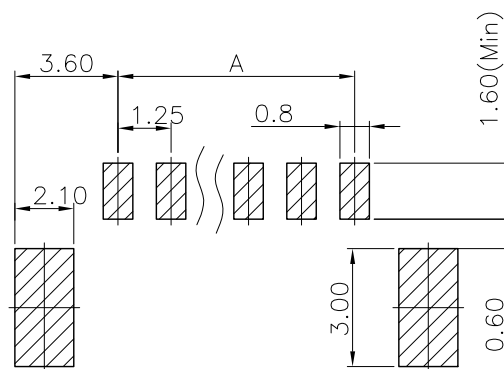
MATERIAL:

INSULATOR : NYLON 46, UL 94V-0
 CONTACT : PHOSPHOR BRONZE
 CONTACT FINISH : TIN OVER NICKEL PLATED

SPECIFICATION:

CURRENT RATING : 1A
 DIELECTRIC WITHSTANDING VOLTAGE : 250V AC PER MINUTE
 INSULATION RESISTANCE : 100MΩ MIN.
 CONTACT RESISTANCE : 20mΩ MAX.
 OPERATING TEMPERATURE : -25°C ~ +85°C.

POSITION	A	B	C	D
2	1.25	3.05	4.25	7.65
3	2.50	4.30	5.50	8.90
4	3.75	5.55	6.75	10.15
5	5.00	6.80	8.00	11.40
6	6.25	8.05	9.25	12.65
7	7.50	9.30	10.50	13.90
8	8.75	10.55	11.75	15.15
9	10.00	11.80	13.00	16.40
10	11.25	13.05	14.25	17.65
11	12.50	14.30	15.50	18.90
12	13.75	15.55	16.75	20.15
13	15.00	16.80	18.00	21.40
14	16.25	18.05	19.25	22.65
15	17.50	19.30	20.50	23.90



P.C.B. LAYOUT

Order Information :

HWH21 - 093TNC01 - R
 1 2 3 4 5 6 7 8

1. SERIES NUMBER	HWH21 : 1.25mm PITCH WIRE TO BOARD WAFER RIGHT ANGLE SMD
2. POSITION	02 ~ 15
3. CONTACT MATERIAL	3 : PHOSPHOR BRONZE
4. CONTACT PLATING	T : TIN
5. INSULATOR COLOR	0 : WHITE
6. INSULATOR MATERIAL	C : NYLON
7. PACKING	1 : TUBE 2 : TAPE & REEL
8. GREEN PRODUCT	R : RoHS

WEKANG
 維鼎股份有限公司
 WEKANG CO., LTD.
 TEL:886-2-26436301 FAX:886-2-26432714

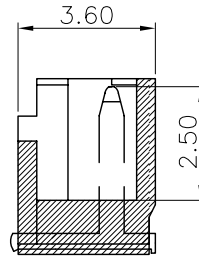
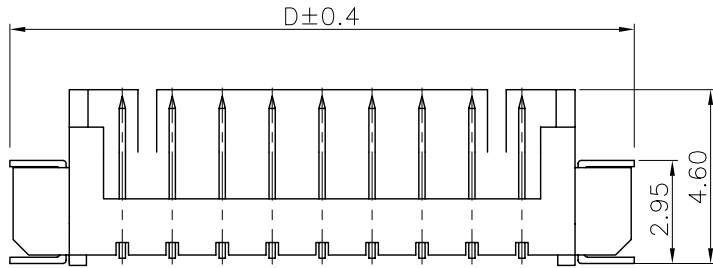
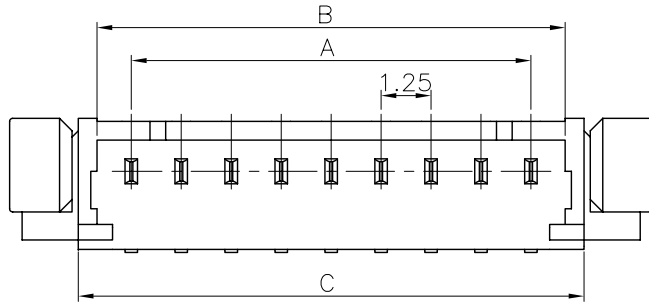
SIZE A4	UNIT mm	SCALE 5/1	SHEET 1 OF 1
---------	---------	-----------	--------------

GENERAL TOLERANCE
 X.X ±0.25
 X.XX ±0.15
 ANGLE TOLERANCE ±1°
 RADIUS ±0.25
 HOLE ±0.13

DRAWN.	JEAN	DATE	12 - 30 - 2005
CHECKED.	HENRY	DATE	12 - 30 - 2005
APPROVED.	HENRY	DATE	12 - 30 - 2005

DRAWING NO.	HWH21-XX3TNC0X-R	C04001
TITLE.	1.25mm PITCH WIRE TO BOARD WAFER RIGHT ANGLE SMD	
PART NO.	HWH21-XX3TNC0X-R	REV A.0

REV.	ECN.	DATE	DWN	APVD



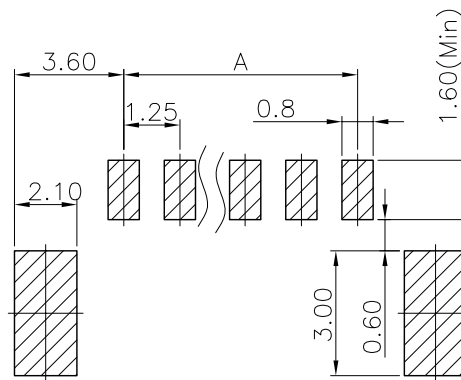
MATERIAL:

INSULATOR : NYLON 46, UL 94V-0
 CONTACT : PHOSPHOR BRONZE
 CONTACT FINISH : TIN OVER NICKEL PLATED

SPECIFICATION:

CURRENT RATING : 1A
 DIELECTRIC WITHSTANDING VOLTAGE : 250V AC PER MINUTE
 INSULATION RESISTANCE : 100MΩ MIN.
 CONTACT RESISTANCE : 20mΩ MAX.
 OPERATING TEMPERATURE : -25°C ~ +85°C.

POSITION	A	B	C	D
2	1.25	3.05	4.25	7.65
3	2.50	4.30	5.50	8.90
4	3.75	5.55	6.75	10.15
5	5.00	6.80	8.00	11.40
6	6.25	8.05	9.25	12.65
7	7.50	9.30	10.50	13.90
8	8.75	10.55	11.75	15.15
9	10.00	11.80	13.00	16.40
10	11.25	13.05	14.25	17.65
11	12.50	14.30	15.50	18.90
12	13.75	15.55	16.75	20.15
13	15.00	16.80	18.00	21.40
14	16.25	18.05	19.25	22.65
15	17.50	19.30	20.50	23.90



P.C.B. LAYOUT

Order Information :

HWH41 - 093 T N C 0 1 - R
 1 2 3 4 5 6 7 8

1. SERIES NUMBER	HWH41 : 1.25mm PITCH WIRE TO BOARD WAFER STRAIGHT SMD
2. POSITION	02 ~ 15
3. CONTACT MATERIAL	3 : PHOSPHOR BRONZE
4. CONTACT PLATING	T : TIN
5. INSULATOR COLOR	N : NATURE
6. INSULATOR MATERIAL	C : NYLON
7. PACKING	1 : TUBE 2 : TAPE & REEL
8. GREEN PRODUCT	R : RoHS



維鼎股份有限公司
 WEKANG CO., LTD.
 TEL:886-2-26436301 FAX:886-2-26432714

GENERAL TOLERANCE
 X.X ±0.25
 X.XX ±0.15
 ANGLE TOLERANCE ±1°
 RADIUS ±0.25
 HOLE ±0.13

DRAWN. JEAN
 CHECKED. HENRY
 APPROVED. HENRY

DATE 12 - 30 - 2005
 DATE 12 - 30 - 2005
 DATE 12 - 30 - 2005

DRAWING NO. HWH41-XX3TNC0X-R C04001
 TITLE. 1.25mm PITCH WIRE TO BOARD
 WAFER STRAIGHT SMD
 PART NO. HWH41-XX3TNC0X-R REV A.0

SIZE A4 UNIT mm SCALE. 5/1 SHEET. 1 OF 1