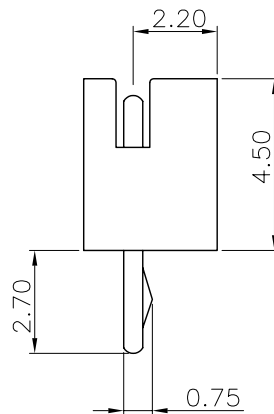
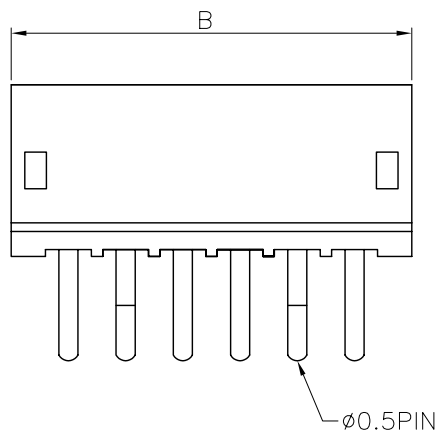
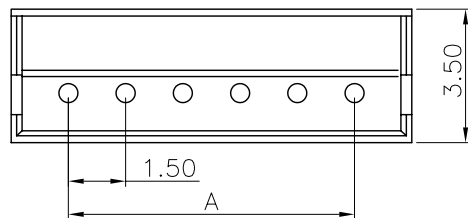


REV.	ECN.	DATE	DWN	APVD



MATERIAL:

INSULATOR : NYLON 66, UL 94V-0
 CONTACT : COPPER ALLOY
 CONTACT FINISH : TIN OVER NICKEL PLATED

SPECIFICATION:

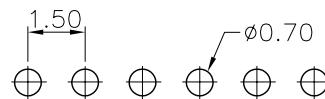
CURRENT RATING : 1A
 DIELECTRIC WITHSTANDING VOLTAGE : 500V AC PER MINUTE
 INSULATION RESISTANCE : 500M Ω MIN.
 CONTACT RESISTANCE : 20m Ω MAX.
 OPERATING TEMPERATURE : -25°C ~ +85°C.

Order Information :

HWF11 - 06 1 T N C 1 3 - R
 1 2 3 4 5 6 7 8

1. SERIES NUMBER	HWF11 : 1.5mm PITCH WIRE TO BOARD WAFER STRAIGHT
2. POSITION	02 ~ 13
3. CONTACT MATERIAL	1 : COPPER ALLOY
4. CONTACT PLATING	T : TIN
5. INSULATOR COLOR	N : NATURE
6. INSULATOR MATERIAL	C : NYLON
7. PACKING	3 : BAG
8. GREEN PRODUCT	R : RoHS

POSITION	A	B	POSITION	A	B
2	1.50	4.50	9	12.00	15.00
3	3.00	6.00	10	13.50	16.50
4	4.45	7.50	11	15.00	18.00
5	6.00	9.00	12	16.50	19.50
6	7.50	10.50	13	18.00	21.00
7	9.00	12.00			
8	10.50	13.50			



P.C.B. LAYOUT

 維鼎股份有限公司
 WEKANG CO., LTD.
 TEL:886-2-26436301 FAX:886-2-26432714

SIZE A4	UNIT mm	SCALE 5/1	SHEET 1 OF 1	
---------	---------	-----------	--------------	---

GENERAL TOLERANCE X.X ±0.25 X.XX ±0.15 ANGLE TOLERANCE ±1° RADIUS ±0.25 HOLE ±0.13	DRAWN. JEAN	DATE 12 - 30 - 2005	DRAWING NO. HWF11-XX1TNC13-R	C04001
	CHECKED. HENRY	DATE 12 - 30 - 2005	TITLE. 1.5mm PITCH WIRE TO BOARD WAFER STRAIGHT	
	APPROVED. HENRY	DATE 12 - 30 - 2005	PART NO. HWF11-XX1TNC13-R	REV A.0

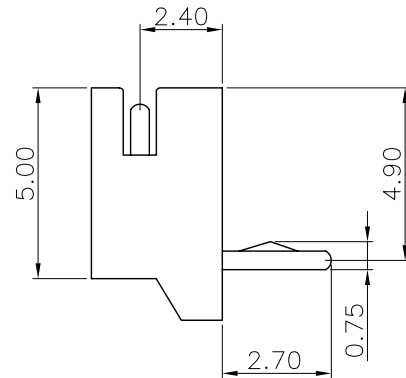
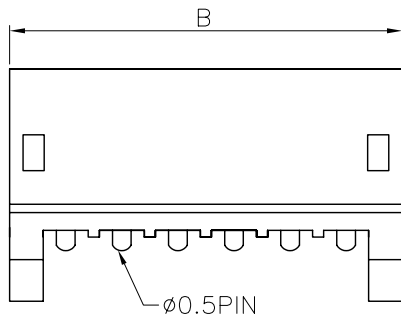
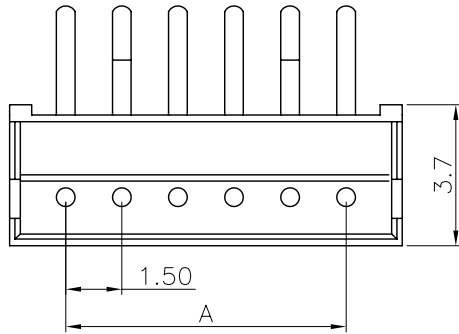
REV.	ECN.	DATE	DWN	APVD

MATERIAL:

INSULATOR : NYLON 66, UL 94V-0
 CONTACT : COPPER ALLOY
 CONTACT FINISH : TIN OVER NICKEL PLATED

SPECIFICATION:

CURRENT RATING : 1A
 DIELECTRIC WITHSTANDING VOLTAGE : 500V AC PER MINUTE
 INSULATION RESISTANCE : 500MΩ MIN.
 CONTACT RESISTANCE : 20mΩ MAX.
 OPERATING TEMPERATURE : -25°C ~ +85°C.

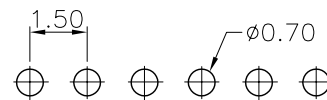


Order Information :

H W F 9 1 - 0 6 1 T N C 1 3 - R
 1 2 3 4 5 6 7 8

1. SERIES NUMBER	HWF91 : 1.5mm PITCH WIRE TO BOARD WAFER RIGHT ANGLE
2. POSITION	02 ~ 13
3. CONTACT MATERIAL	1 : COPPER ALLOY
4. CONTACT PLATING	T : TIN
5. INSULATOR COLOR	N : NATURE
6. INSULATOR MATERIAL	C : NYLON
7. PACKING	3 : BAG
8. GREEN PRODUCT	R : RoHS

POSITION	A	B	POSITION	A	B
2	1.50	4.50	9	12.00	15.00
3	3.00	6.00	10	13.50	16.50
4	4.45	7.50	11	15.00	18.00
5	6.00	9.00	12	16.50	19.50
6	7.50	10.50	13	18.00	21.00
7	9.00	12.00			
8	10.50	13.50			



P.C.B. LAYOUT

WEKANG CO., LTD.
 維鼎股份有限公司
 TEL:886-2-26436301 FAX:886-2-26432714

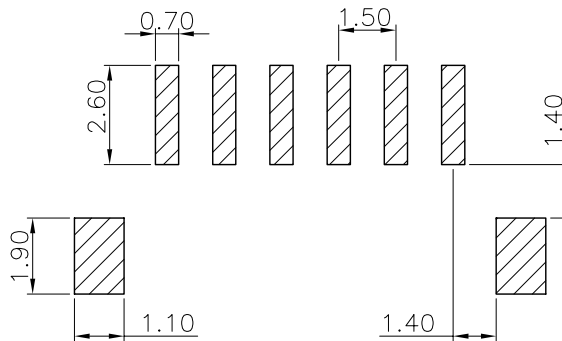
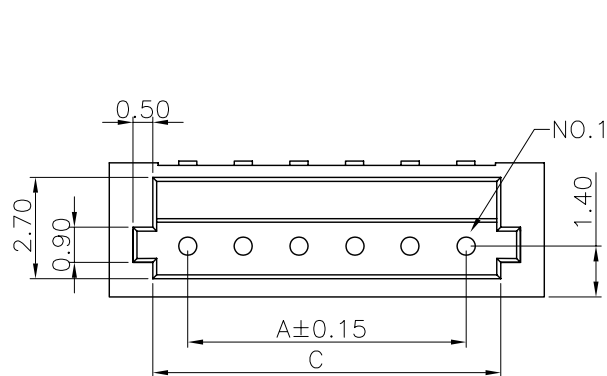
SIZE A4	UNIT mm	SCALE 5/1	SHEET 1 OF 1
---------	---------	-----------	--------------

GENERAL TOLERANCE
 X.X ±0.25
 X.XX ±0.15

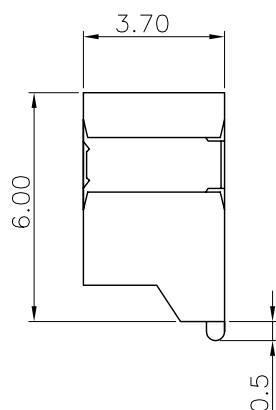
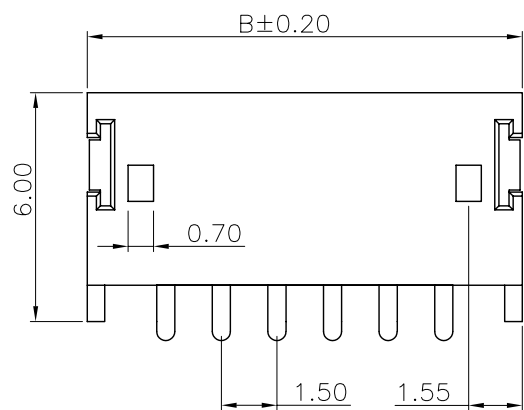
ANGLE TOLERANCE ±1°
 RADIUS ±0.25
 HOLE ±0.13

DRAWN. JEAN	DATE 12 - 30 - 2005	DRAWING NO. HWF91-XX1TNC13-R	C04001
CHECKED. HENRY	DATE 12 - 30 - 2005	TITLE. 1.5mm PITCH WIRE TO BOARD WAFER RIGHT ANGLE	
APPROVED. HENRY	DATE 12 - 30 - 2005	PART NO. HWF91-XX1TNC13-R	REV A.0

REV.	ECN.	DATE	DWN	APVD



P.C.B. LAYOUT



MATERIAL:

INSULATOR : NYLON 6T, UL 94V-0
 CONTACT : COPPER ALLOY
 CONTACT FINISH : TIN OVER NICKEL PLATED

SPECIFICATION:

CURRENT RATING : 1A
 DIELECTRIC WITHSTANDING VOLTAGE : 500V AC PER MINUTE
 INSULATION RESISTANCE : 500MΩ MIN.
 CONTACT RESISTANCE : 20mΩ MAX.
 OPERATING TEMPERATURE : -25°C ~ +85°C.

Order Information :

HWF21 - 0 6 1 T N C 0 1 - R
 1 2 3 4 5 6 7 8

1. SERIES NUMBER	HWF21 : 1.5mm PITCH WIRE TO BOARD WAFER RIGHT ANGLE SMD
2. POSITION	02 ~ 13
3. CONTACT MATERIAL	1 : COPPER ALLOY
4. CONTACT PLATING	T : TIN
5. INSULATOR COLOR	N : NATURE
6. INSULATOR MATERIAL	C : NYLON
7. PACKING	1 : TUBE 2 : TAPE & REEL
8. GREEN PRODUCT	R : RoHS

POSITION	A	B	C	POSITION	A	B	C
2	1.50	6.00	3.60	9	12.00	16.50	14.10
3	3.00	7.50	5.10	10	13.50	18.00	15.60
4	4.50	9.00	6.60	11	15.00	19.50	17.10
5	6.00	10.50	8.10	12	16.50	21.00	18.60
6	7.50	12.00	9.60	13	18.00	22.50	20.10
7	9.00	13.50	11.10				
8	10.50	15.00	12.60				

WEKANG 維鼎股份有限公司
 WEKANG CO., LTD.
 TEL:886-2-26436301 FAX:886-2-26432714

SIZE A4 UNIT mm SCALE 5/1 SHEET 1 OF 1

GENERAL TOLERANCE
 X.X ±0.3
 X.XX ±0.2

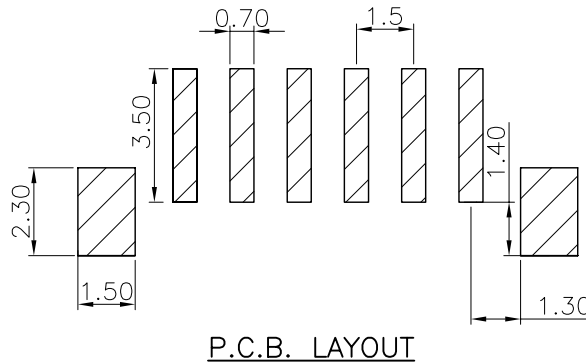
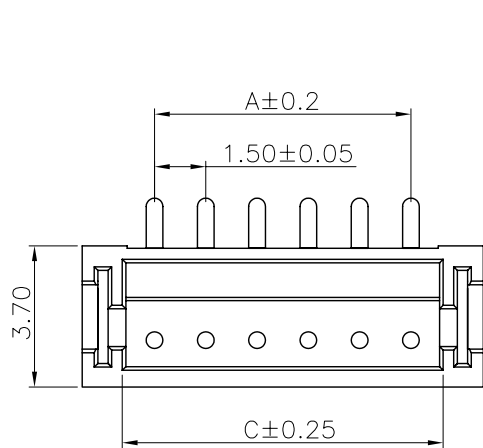
ANGLE TOLERANCE ±1°
 RADIUS ±0.25
 HOLE ±0.13

DRAWN. JEAN
 CHECKED. HENRY
 APPROVED. HENRY

DATE 01-09-2006
 DATE 01-09-2006
 DATE 01-09-2006

DRAWING NO. HWF21-XX1TNC0X-R C04001
 TITLE. 1.5mm PITCH WIRE TO BOARD
 WAFER RIGHT ANGLE SMD
 PART NO. HWF21-XX1TNC0X-R REV A.0

REV.	ECN.	DATE	DWN	APVD

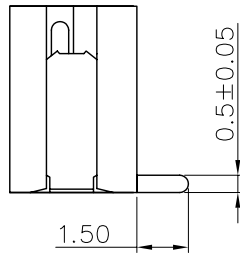
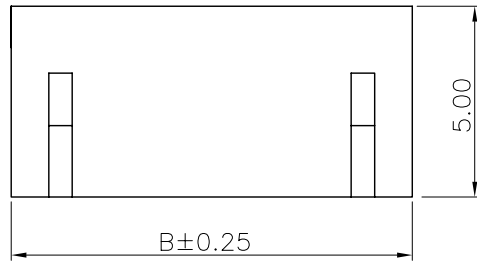


MATERIAL:

INSULATOR : NYLON 6T, UL 94V-0
 CONTACT : COPPER ALLOY
 CONTACT FINISH : TIN OVER NICKEL PLATED

SPECIFICATION:

CURRENT RATING : 1A
 DIELECTRIC WITHSTANDING VOLTAGE : 500V AC PER MINUTE
 INSULATION RESISTANCE : 500MΩ MIN.
 CONTACT RESISTANCE : 20mΩ MAX.
 OPERATING TEMPERATURE : -25°C ~ +85°C.



Order Information :

H W F 4 1 - 0 6 1 T N C 0 1 - R
 1 2 3 4 5 6 7 8

1. SERIES NUMBER	HWF41 : 1.5mm PITCH WIRE TO BOARD WAFER STRAIGHT SMD
2. POSITION	02 ~ 13
3. CONTACT MATERIAL	1 : COPPER ALLOY
4. CONTACT PLATING	T : TIN
5. INSULATOR COLOR	N : NATURE
6. INSULATOR MATERIAL	C : NYLON
7. PACKING	1 : TUBE 2 : TAPE & REEL
8. GREEN PRODUCT	R : RoHS

POSITION	A	B	C	POSITION	A	B	C
2	1.50	6.00	3.60	9	12.00	16.50	14.10
3	3.00	7.50	5.10	10	13.50	18.00	15.60
4	4.50	9.00	6.60	11	15.00	19.50	17.10
5	6.00	10.50	8.10	12	16.50	21.00	18.60
6	7.50	12.00	9.60	13	18.00	22.50	20.10
7	9.00	13.50	11.10				
8	10.50	15.00	12.60				

WEKANG 維鼎股份有限公司
 WEKANG CO., LTD.
 TEL:886-2-26436301 FAX:886-2-26432714

SIZE A4	UNIT mm	SCALE 5/1	SHEET 1 OF 1	
------------	------------	--------------	-----------------	--

GENERAL TOLERANCE
 XX ±0.3
 XXX ±0.2

ANGLE TOLERANCE ±1°
 RADIUS ±0.25
 HOLE ±0.13

DRAWN. JEAN
 CHECKED. HENRY
 APPROVED. HENRY

DATE 01-09-2006
 DATE 01-09-2006
 DATE 01-09-2006

DRAWING NO. HWF41-XX1TNC0X-R C04001
 TITLE. 1.5mm PITCH WIRE TO BOARD
 WAFER STRAIGHT SMD
 PART NO. HWF41-XX1TNC0X-R REV A.0