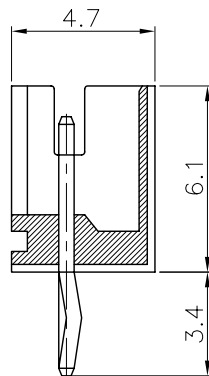
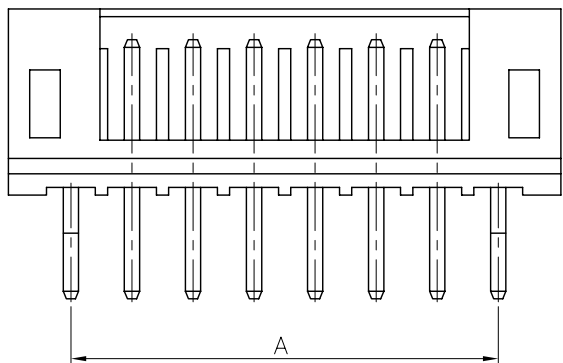
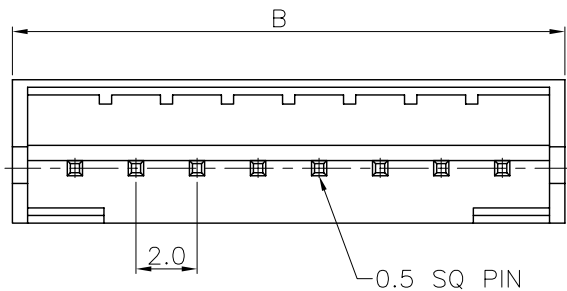


REV.	ECN.	DATE	DWN	APVD



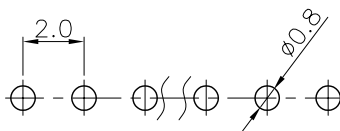
MATERIAL:

INSULATOR : NYLON 66, UL 94V-0
 CONTACT : COPPER ALLOY
 CONTACT FINISH : TIN OVER NICKEL PLATED

SPECIFICATION:

CURRENT RATING : 2A
 DIELECTRIC WITHSTANDING VOLTAGE : 800V AC PER MINUTE
 INSULATION RESISTANCE : 1000MΩ MIN.
 CONTACT RESISTANCE : 20mΩ MAX.
 OPERATING TEMPERATURE : -25°C ~ +85°C.

POSITION	A	B	POSITION	A	B
2	2.0	6.1	12	22.0	26.1
3	4.0	8.1	13	24.0	28.1
4	6.0	10.1	14	26.0	30.1
5	8.0	12.1	15	28.0	32.1
6	10.0	14.1	16	30.0	34.1
7	12.0	16.1			
8	14.0	18.1			
9	16.0	20.1			
10	18.0	22.1			
11	20.0	24.1			



P.C.B. LAYOUT

Order Information :

HWD11 - 08 1 T N C 10 - R
 1 2 3 4 5 6 7

1. SERIES NUMBER	HWD11 : 2.0mm PITCH WIRE TO BOARD WAFER STRAIGHT, SINGLE ROW
2. POSITION	02 ~ 16
3. CONTACT MATERIAL	1 : COPPER ALLOY
4. CONTACT PLATING	T : TIN
5. INSULATOR COLOR	N : NATURE
6. INSULATOR MATERIAL	C : NYLON
7. GREEN PRODUCT	R : RoHS



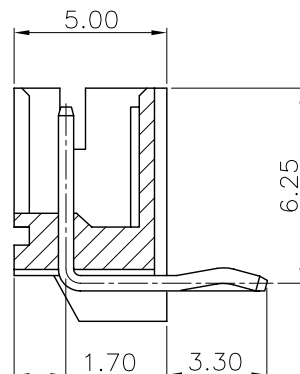
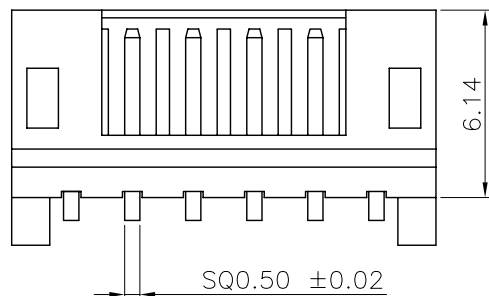
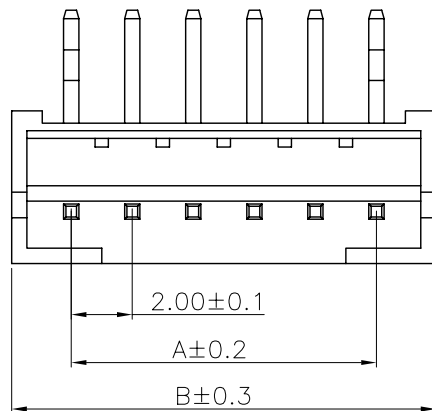
維鼎股份有限公司
 WEKANG CO., LTD.
 TEL:886-2-26436301 FAX:886-2-26432714

SIZE A4	UNIT mm	SCALE 4 / 1	SHEET 1 OF 1	
------------	------------	----------------	-----------------	--

GENERAL TOLERANCE
 X.X ±0.35
 X.XX ±0.25
 ANGLE TOLERANCE ±1°
 RADIUS ±0.25
 HOLE ±0.13

DRAWN.	JEAN	DATE	12 - 30 - 2005	DRAWING NO.	HWD11-XX1TNC10-R	C04001
CHECKED.	HENRY	DATE	12 - 30 - 2005	TITLE.	2.0mm PITCH WIRE TO BOARD WAFER STRAIGHT, SINGLE ROW	
APPROVED.	HENRY	DATE	12 - 30 - 2005	PART NO.	HWD11-XX1TNC10-R	REV A.0

REV.	ECN.	DATE	DWN	APVD



MATERIAL:

INSULATOR : NYLON 66, UL 94V-0
 CONTACT : COPPER ALLOY
 CONTACT FINISH : TIN OVER NICKEL PLATED

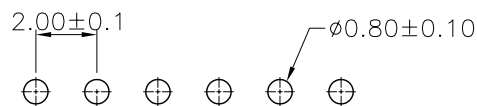
SPECIFICATION:

CURRENT RATING : 2A
 DIELECTRIC WITHSTANDING VOLTAGE : 800V AC PER MINUTE
 INSULATION RESISTANCE : 1000MΩ MIN.
 CONTACT RESISTNACE : 20mΩ MAX.
 OPERATING TEMPERATURE : -25°C ~ +85°C.

Order Information :

HWD91 - 061 TNC 10 - R
 1 2 3 4 5 6 7

POSITION	A	B	POSITION	A	B
2	2.0	6.04	10	18.0	22.10
3	4.0	8.04	11	20.0	24.10
4	6.0	10.04	12	22.0	26.12
5	8.0	12.04	13	24.0	28.12
6	10.0	14.06	14	26.0	30.14
7	12.0	16.06	15	28.0	32.14
8	14.0	18.08	16	30.0	34.14
9	16.0	20.08			



P.C.B. LAYOUT

1. SERIES NUMBER	HWD91 : 2.0mm PITCH WIRE TO BOARD WAFER RIGHT ANGLE, SINGLE ROW
2. POSITION	02 ~ 16
3. CONTACT MATERIAL	1 : COPPER ALLOY
4. CONTACT PLATING	T : TIN
5. INSULATOR COLOR	N : NATURE
6. INSULATOR MATERIAL	C : NYLON
7. GREEN PRODUCT	R : RoHS

WEKANG CO., LTD.
 維鼎股份有限公司
 TEL:886-2-26436301 FAX:886-2-26432714

SIZE A4 UNIT mm SCALE 4/1 SHEET 1 OF 1

GENERAL TOLERANCE X.X ±0.3 X.XX ±0.2	DRAWN. JEAN	DATE 12 - 30 - 2005	DRAWING NO. HWD91-XX1TNC10-R	C04001
ANGLE TOLERANCE ±1° RADIUS ±0.25 HOLE ±0.13	CHECKED. HENRY	DATE 12 - 30 - 2005	TITLE. 2.0mm PITCH WIRE TO BOARD WAFER RIGHT ANGLE, SINGLE ROW	
	APPROVED. HENRY	DATE 12 - 30 - 2005	PART NO. HWD91-XX1TNC10-R	REV A.0