

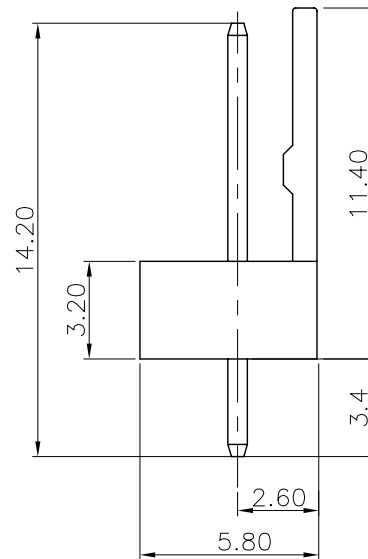
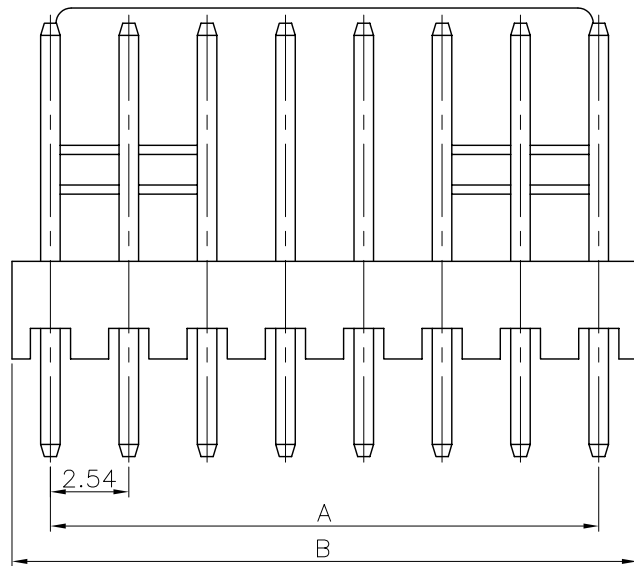
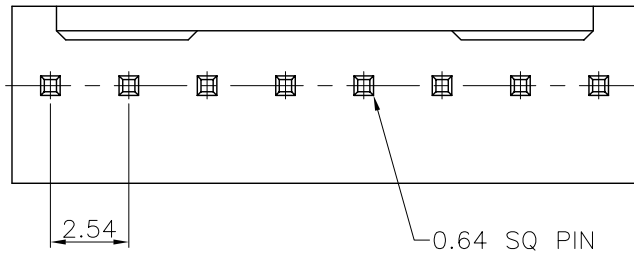
REV.	ECN.	DATE	DWN	APVD

MATERIAL:

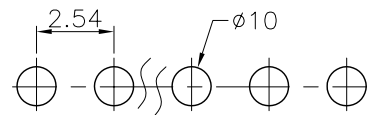
INSULATOR : NYLON 66, UL 94V-2
 CONTACT : COPPER ALLOY
 CONTACT FINISH : GOLD OR TIN OVER NICKEL PLATED

SPECIFICATION:

CURRENT RATING : 2A
 DIELECTRIC WITHSTANDING VOLTAGE : 1000V AC PER MINUTE
 INSULATION RESISTANCE : 1000MΩ MIN.
 CONTACT RESISTANCE : 20mΩ MAX.
 OPERATING TEMPERATURE : -25°C ~ +85°C.



POSITION	A	B	POSITION	A	B
2	2.54	5.12	12	27.94	30.68
3	5.08	7.66	13	30.48	33.10
4	7.62	10.20	14	33.02	35.80
5	10.16	12.74	15	35.56	38.34
6	12.70	15.30	16	38.10	40.94
7	15.24	17.94	17	40.64	43.30
8	17.78	20.48	18	43.18	45.90
9	20.32	23.02	19	45.72	48.56
10	22.86	25.58	20	48.26	50.80
11	25.40	28.12			



P.C.B. LAYOUT

Order Information :

HWB11 - 0 8 1 T N C 0 0 - R
 1 2 3 4 5 6 7

1. SERIES NUMBER	HWB11 : 2.54mm PITCH WIRE TO BOARD WAFER STRAIGHT
2. POSITION	02 ~ 20
3. CONTACT MATERIAL	1 : COPPER ALLOY
4. CONTACT PLATING	A : GOLD FLASH T : TIN
5. INSULATOR COLOR	2 : BROWN 3 : RED N : BEIGE
6. INSULATOR MATERIAL	C : NYLON
7. GREEN PRODUCT	R : RoHS

WEKANG CO., LTD.
 維鼎股份有限公司
 TEL:886-2-26436301 FAX:886-2-26432714

SIZE A4 UNIT mm SCALE 4/1 SHEET 1 OF 1

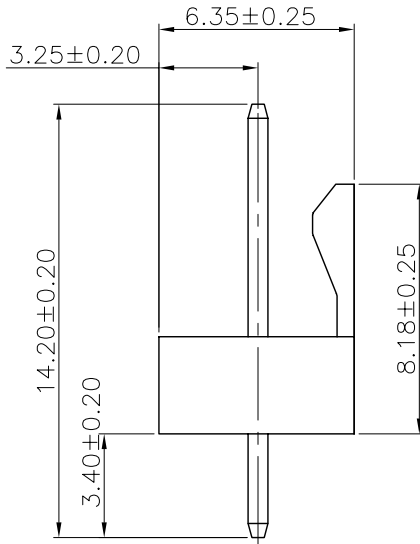
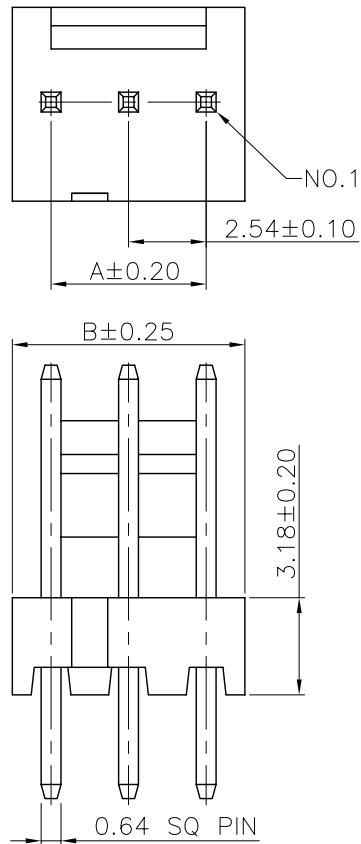
GENERAL TOLERANCE
 X.X ±0.35
 X.XX ±0.25

ANGLE TOLERANCE ±1°
 RADIUS ±0.25
 HOLE ±0.13

DRAWN.	JEAN	DATE	12 - 30 - 2005
CHECKED.	HENRY	DATE	12 - 30 - 2005
APPROVED.	HENRY	DATE	12 - 30 - 2005

DRAWING NO.	HWB11-XX1XXC00-R	C04001
TITLE.	2.54mm PITCH WIRE TO BOARD WAFER STRAIGHT	
PART NO.	HWB11-XX1XXC00-R	REV A.0

REV.	ECN.	DATE	DWN	APVD



MATERIAL:

INSULATOR : NYLON 66, UL94V-2
 CONTACT : COPPER ALLOY
 CONTACT FINISH : GOLD OR TIN OVER NICKEL PLATED

SPECIFICATION:

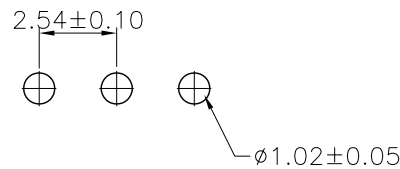
CURRENT RATING : 2A
 DIELECTRIC WITHSTANDING VOLTAGE : 1000V AC PER MINUTE
 INSULATION RESISTANCE : 1000MΩ MIN.
 CONTACT RESISTANCE : 20m MAX.
 OPERATING TEMPERATURE : -25°C ~ +85°C.

Order Information :

HWB11 - 031 TNC 10 - R
 1 2 3 4 5 6 7

1. SERIES NUMBER	HWB11 : 2.54mm PITCH WIRE TO BOARD WAFER STRAIGHT
2. POSITION	02 ~ 20
3. CONTACT MATERIAL	1 : COPPER ALLOY
4. CONTACT PLATING	A : GOLD FLASH T : TIN
5. INSULATOR COLOR	2 : BROWN 3 : RED N : NATURE
6. INSULATOR MATERIAL	C : NYLON
7. GREEN PRODUCT	R : RoHS

POSITION	A	B	POSITION	A	B
2	2.54	5.08	12	27.94	30.48
3	5.08	7.62	13	30.48	33.02
4	7.62	10.16	14	33.02	35.56
5	10.16	12.70	15	35.56	38.10
6	12.70	15.24	16	38.10	40.64
7	15.24	17.78	17	40.64	43.18
8	17.78	20.32	18	43.18	45.72
9	20.32	22.86	19	45.72	48.26
10	22.86	25.40	20	48.26	50.80
11	25.40	27.94			



P.C.B. LAYOUT

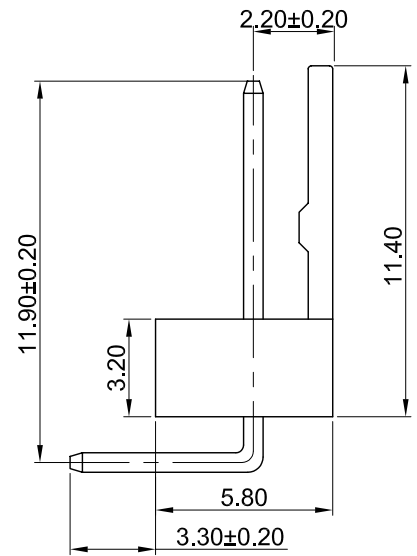
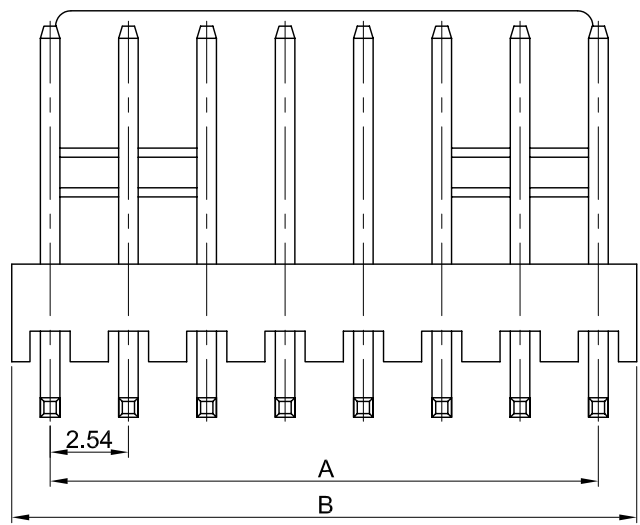
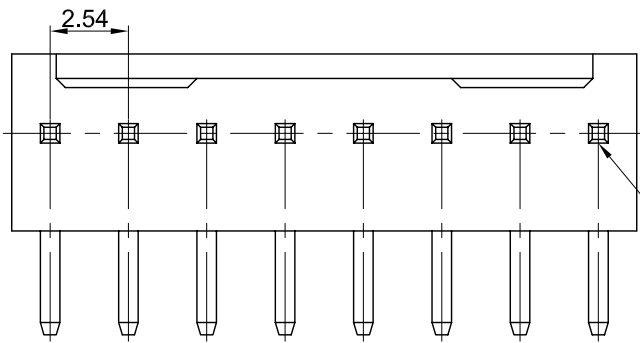
WEKANG
 維鼎股份有限公司
 WEKANG CO., LTD.
 TEL:886-2-26436301 FAX:886-2-26432714

SIZE A4	UNIT mm	SCALE 4 / 1	SHEET 1 OF 1
------------	------------	----------------	-----------------

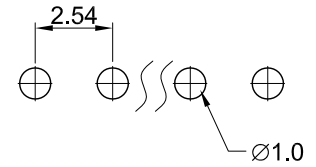
GENERAL TOLERANCE
 X.X ±0.25
 X.XX ±0.15
 X.XXX ±0.05
 ANGLE TOLERANCE ±1°
 RADIUS ±0.25
 HOLE ±0.13

DRAWN.	JEAN	DATE	12 - 30 - 2005	DRAWING NO.	HWB11-XX1XXC10-R	C17027
CHECKED.	HENRY	DATE	12 - 30 - 2005	TITLE.	2.54mm PITCH WIRE TO BOARD WAFER STRAIGHT	
APPROVED.	HENRY	DATE	12 - 30 - 2005	PART NO.	HWB11-XX1XXC10-R	REV A.0

REV.	ECN.	DATE	DWN	APVD
A.1	ECN-060808-01	06/08/11	TRACY	HENRY



POSITION	A	B	POSITION	A	B
2	2.54	5.12	12	27.94	30.68
3	5.08	7.66	13	30.48	33.10
4	7.62	10.20	14	33.02	35.80
5	10.16	12.74	15	35.56	38.34
6	12.70	15.30	16	38.10	40.94
7	15.24	17.94	17	40.64	43.30
8	17.78	20.48	18	43.18	45.90
9	20.32	23.02	20	48.26	50.80
10	22.86	25.58			
11	25.40	28.12			



P.C.B. LAYOUT

MATERIAL:

INSULATOR : NYLON 66, UL94V-2
 CONTACT : COPPER ALLOY
 CONTACT FINISH : GOLD OR TIN OVER NICKEL PLATED

SPECIFICATION:

CURRENT RATING : 2A
 DIELECTRIC WITHSTANDING VOLTAGE : 1000V AC PER MINUTE
 INSULATION RESISTANCE : 1000MΩ MIN.
 CONTACT RESISTANCE : 20m MAX.
 OPERATING TEMPERATURE : -25°C ~ +85°C.

ORDER INFORMATION :

H W B 3 1 - 0 8 1 T N C 0 0 - R
 1 2 3 4 5 6 7

- | | |
|---------------------|-----------------------|
| 1. SERIES NUMBER | 6. INSULATOR MATERIAL |
| 2. POSITION | C : NYLON |
| 3. CONTACT MATERIAL | 7. GREEN PRODUCT |
| 1 : COPPER ALLOY | R : RoHS COMPLIANT |
| 4. CONTACT PLATING | |
| A : GOLD FLASH | |
| T : TIN | |
| 5. INSULATOR COLOR | |
| 2 : BROWN | |
| 3 : RED | |
| N : NATURE | |

WEKANG CO., LTD.
 維鼎股份有限公司
 TEL:886-2-26436301 FAX:886-2-26432714

SIZE A4	UNIT mm	SCALE 4/1	SHEET 1 OF 1
---------	---------	-----------	--------------

GENERAL TOLERANCE
 X.X ±0.35
 X.XX ±0.25

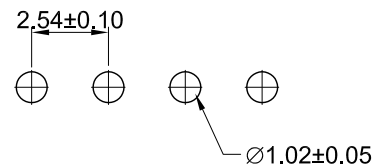
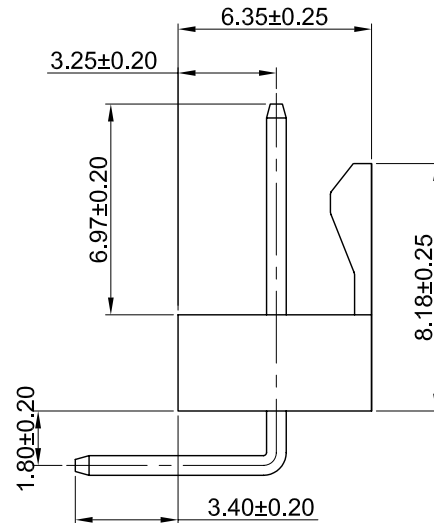
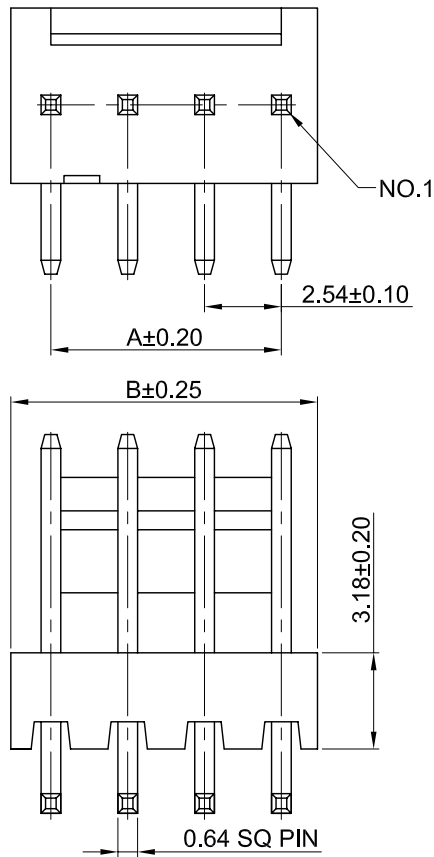
ANGLE TOLERANCE ±1°
 RADIUS ±0.25
 HOLE ±0.13

DRAWN. JEAN
 CHECKED. HENRY
 APPROVED. HENRY

DATE 01-06-2006
 DATE 01-24-2006
 DATE 01-24-2006

DRAWING NO. HWB31-XX1XXC00-R C04001
 TITLE. 2.54mm PITCH WIRE TO BOARD
 WAFER REVERSE RIGHT ANGLE
 PART NO. HWB31-XX1XXC00-R REV A.1

REV.	ECN.	DATE	DWN	APVD
A.1	ECN-060808-01	06/08/11	TRACY	HENRY



P.C.B. LAYOUT

MATERIAL:

INSULATOR : NYLON 66, UL94V-2
 CONTACT : COPPER ALLOY
 CONTACT FINISH : GOLD OR TIN OVER NICKEL PLATED

SPECIFICATION:

CURRENT RATING : 2A
 DIELECTRIC WITHSTANDING VOLTAGE : 1000V AC PER MINUTE
 INSULATION RESISTANCE : 1000MΩ MIN.
 CONTACT RESISTANCE : 20m MAX.
 OPERATING TEMPERATURE : -25°C ~ +85°C.

ORDER INFORMATION :

H W B 3 1 - 0 4 1 T N C 1 0 - R
 1 2 3 4 5 6 7

- | | |
|---------------------|-----------------------|
| 1. SERIES NUMBER | 6. INSULATOR MATERIAL |
| 2. POSITION | C : NYLON |
| 3. CONTACT MATERIAL | 7. GREEN PRODUCT |
| 1=COPPER ALLOY | R : RoHS COMPLIANT |
| 4. CONTACT PLATING | |
| A : GOLD FLASH | |
| T : TIN | |
| 5. INSULATOR COLOR | |
| 2 : BROWN | |
| 3 : RED | |
| N : NATURE | |

POSITION	A	B	POSITION	A	B
2	2.54	5.08	12	27.94	30.48
3	5.08	7.62	13	30.48	33.02
4	7.62	10.16	14	33.02	35.56
5	10.16	12.70	15	35.56	38.10
6	12.70	15.24	16	38.10	40.64
7	15.24	17.78	17	40.64	43.18
8	17.78	20.32	18	43.18	45.72
9	20.32	22.86	19	45.72	48.26
10	22.86	25.40	20	48.26	50.80
11	25.40	27.94			

維鼎股份有限公司
 WEKANG CO., LTD.
 TEL:886-2-26436301 FAX:886-2-26432714

SIZE A4	UNIT mm	SCALE 4 / 1	SHEET 1 OF 1
---------	---------	-------------	--------------

GENERAL TOLERANCE
 X.X ±0.25
 X.XX ±0.15
 X.XXX ±0.05
 ANGLE TOLERANCE ±1°
 RADIUS ±0.25
 HOLE ±0.13

DRAWN. JEAN
 CHECKED. HENRY
 APPROVED. HENRY

DATE 12 - 30 - 2005
 DATE 12 - 30 - 2005
 DATE 12 - 30 - 2005

DRAWING NO. HWB31-XX1XXC10-R C17027
 TITLE. 2.54mm PITCH WIRE TO BOARD
 WAFAER REVERSE RIGHT ANGLE
 PART NO. HWB31-XX1XXC10-R REV A.1

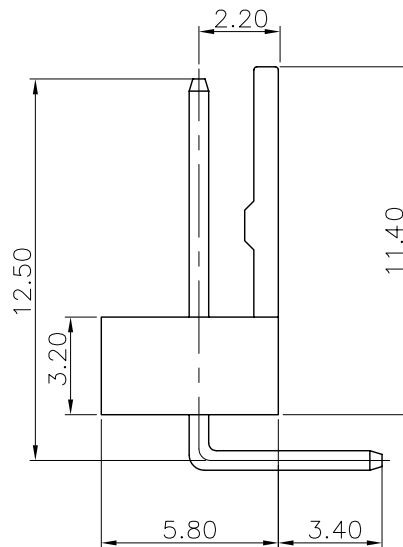
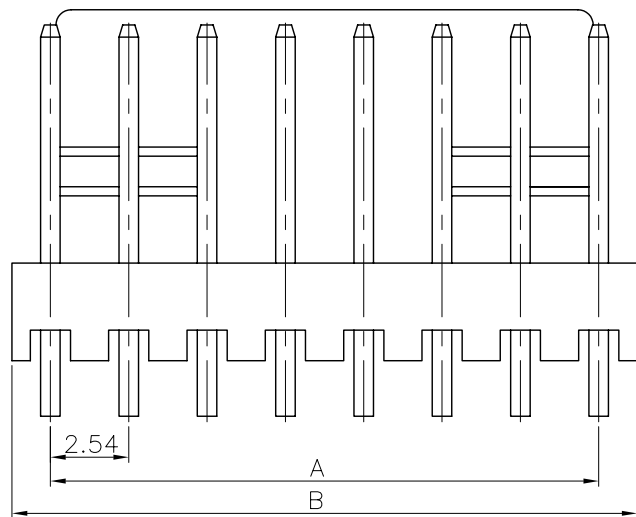
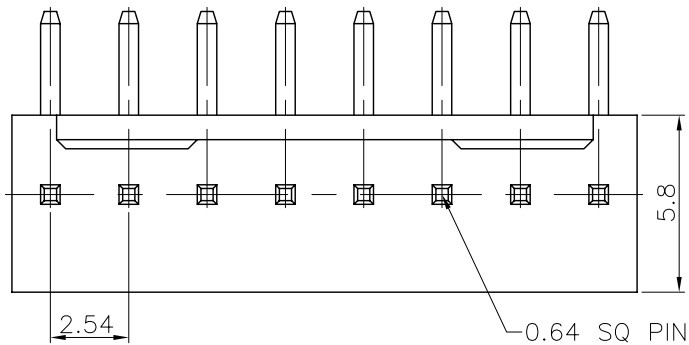
REV.	ECN.	DATE	DWN	APVD

MATERIAL:

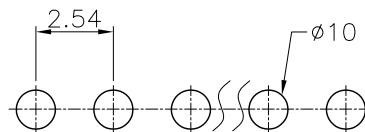
INSULATOR : NYLON 66, UL 94V-2
 CONTACT : COPPER ALLOY
 CONTACT FINISH : GOLD OR TIN OVER NICKEL PLATED

SPECIFICATION:

CURRENT RATING : 2A
 DIELECTRIC WITHSTANDING VOLTAGE : 1000V AC PER MINUTE
 INSULATION RESISTANCE : 1000MΩ MIN.
 CONTACT RESISTANCE : 20mΩ MAX.
 OPERATING TEMPERATURE : -25°C ~ +85°C



POSITION	A	B	POSITION	A	B
2	2.54	5.12	12	27.94	30.68
3	5.08	7.66	13	30.48	33.10
4	7.62	10.20	14	33.02	35.80
5	10.16	12.74	15	35.56	38.34
6	12.70	15.30	16	38.10	40.94
7	15.24	17.94	17	40.64	43.30
8	17.78	20.48	18	43.18	45.90
9	20.32	23.02	19	45.72	48.56
10	22.86	25.58	20	48.26	50.80
11	25.40	28.12			



P.C.B. LAYOUT

Order Information :

HWB91 - 081 T N C 00 - R
 1 2 3 4 5 6 7

1. SERIES NUMBER	HWB91 : 2.54mm PITCH WIRE TO BOARD WAFER RIGHT ANGLE
2. POSITION	02 ~ 20
3. CONTACT MATERIAL	1 : COPPER ALLOY
4. CONTACT PLATING	A : GOLD FLASH T : TIN
5. INSULATOR COLOR	2 : BROWN 3 : RED N : BEIGE
6. INSULATOR MATERIAL	C : NYLON
7. GREEN PRODUCT	R : RoHS

WEKANG CO., LTD.
 維鼎股份有限公司
 TEL:886-2-26436301 FAX:886-2-26432714

SIZE A4	UNIT mm	SCALE 4/1	SHEET 1 OF 1
---------	---------	-----------	--------------

GENERAL TOLERANCE
 X.X ±0.35
 X.XX ±0.25

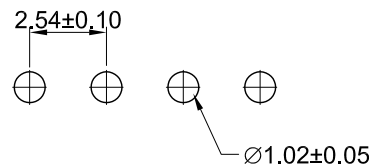
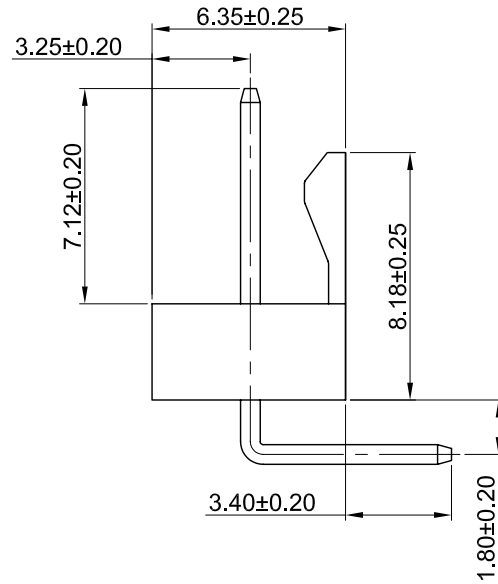
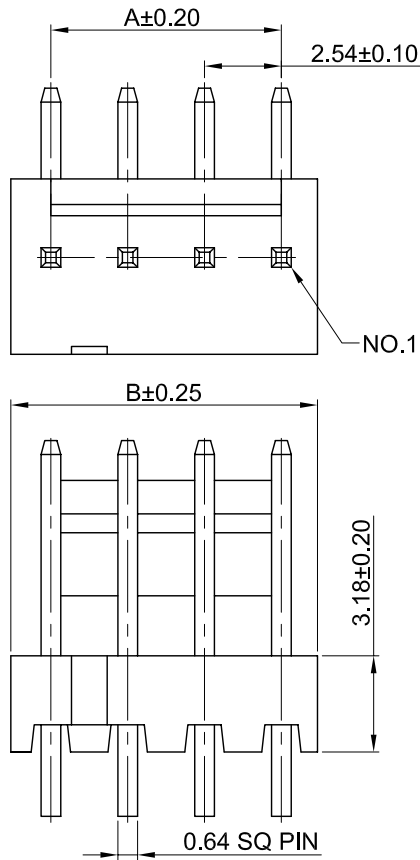
ANGLE TOLERANCE ±1°
 RADIUS ±0.25
 HOLE ±0.13

DRAWN. JEAN
 CHECKED. HENRY
 APPROVED. HENRY

DATE 12 - 30 - 2005
 DATE 12 - 30 - 2005
 DATE 12 - 30 - 2005

DRAWING NO. HWB91-XX1XXC00-R C04001
 TITLE. 2.54mm PITCH WIRE TO BOARD
WAFER RIGHT ANGLE
 PART NO. HWB91-XX1XXC00-R REV A.0

REV.	ECN.	DATE	DWN	APVD
A.1	ECN-060808-01	06/08/11	TRACY	HENRY



P.C.B. LAYOUT

MATERIAL:

INSULATOR : NYLON 66, UL94V-2
 CONTACT : COPPER ALLOY
 CONTACT FINISH : GOLD OR TIN OVER NICKEL PLATED

SPECIFICATION:

CURRENT RATING : 2A
 DIELECTRIC WITHSTANDING VOLTAGE : 1000V AC PER MINUTE
 INSULATION RESISTANCE : 1000MΩ MIN.
 CONTACT RESISTANCE : 20m MAX.
 OPERATING TEMPERATURE : -25°C ~ +85°C.

ORDER INFORMATION :

H W B 9 1 - 0 4 1 T N C 1 0 - R
 1 2 3 4 5 6 7

- | | |
|---------------------|-----------------------|
| 1. SERIES NUMBER | 6. INSULATOR MATERIAL |
| 2. POSITION | C : NYLON |
| 02 ~ 20 | 7. GREEN PRODUCT |
| 3. CONTACT MATERIAL | R : RoHS COMPLIANT |
| 1=COPPER ALLOY | |
| 4. CONTACT PLATING | |
| A=GOLD FLASH | |
| T=TIN | |
| 5. INSULATOR COLOR | |
| 2 : BROWN | |
| 3 : RED | |
| N : NATURE | |

POSITION	A	B	POSITION	A	B
2	2.54	5.08	12	27.94	30.48
3	5.08	7.62	13	30.48	33.02
4	7.62	10.16	14	33.02	35.56
5	10.16	12.70	15	35.56	38.10
6	12.70	15.24	16	38.10	40.64
7	15.24	17.78	17	40.64	43.18
8	17.78	20.32	18	43.18	45.72
9	20.32	22.86	19	45.72	48.26
10	22.86	25.40	20	48.26	50.80
11	25.40	27.94			

維鼎股份有限公司
WEKANG CO., LTD.
 TEL:886-2-26436301 FAX:886-2-26432714

SIZE A4	UNIT mm	SCALE 4 / 1	SHEET 1 OF 1
---------	---------	-------------	--------------

GENERAL TOLERANCE
 X.X ± 0.25
 X.XX ± 0.15
 X.XXX ± 0.05
 ANGLE TOLERANCE ± 1°
 RADIUS ± 0.25
 HOLE ± 0.13

DRAWN. JEAN
 CHECKED. HENRY
 APPROVED. HENRY

DATE 12 - 30 - 2005
 DATE 12 - 30 - 2005
 DATE 12 - 30 - 2005

DRAWING NO. HWB91-XX1XXC10-R C17027
 TITLE. 2.54mm PITCH WIRE TO BOARD WAFER RIGHT ANGLE
 PART NO. HWB91-XX1XXC10-R REV A.1