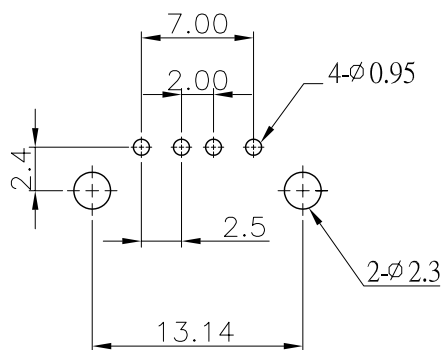
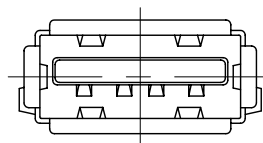
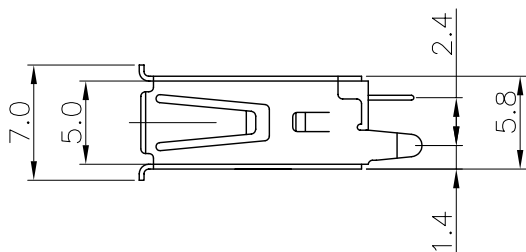
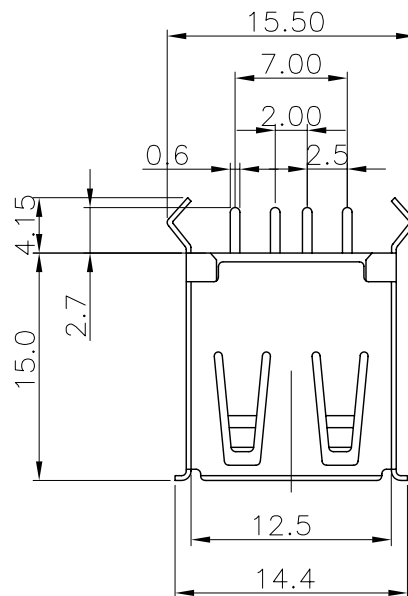


REV.	ECN.	DATE	DWN	APVD



RECOMMENDED PCB LAYOUT



MATERIAL:

INSULATOR : PBT+30% GLASS FIBER (UL 94V-0)
 CONTACT : COPPER ALLOY
 CONTACT FINISH : GOLD ON MATING END, TIN ON TERMINATION END,
 WITH ENTIRE CONTACT NICKEL UNDERPLATED
 SHELL : COPPER ALLOY ,NICKEL PLATED

SPECIFICATION:

CURRENT RATING : 1.5AMP
 DIELECTRIC WITHSTANDING VOLTAGE : 500V AC
 INSULATION RESISTANCE : 1000MΩ MIN.
 CONTACT RESISTANCE : 30mΩ MAX. INITIAL
 OPERATING TEMPERATURE : -55°C ~ +85°C.

Order Information :

UA 1 1 - 0 4 0 1 0 B 1 0 0 - R
 1 2 3 4 5 6 7 8 9

1. SERIES NUMBER	UA11 : USB A SERIES FEMALE STRAIGHT THRU-HOLE TYPE
2. POSITION	04
3. CONTACT TYPE	0 : FEMALE
4. CONTACT PLATING	1 : SELECTIVE GOLD 4 : SELECTIVE 15u" GOLD 6 : SELECTIVE 30u" GOLD
5. INSULATOR COLOR	0 : WHITE 1 : BLACK N : NATURE
6. INSULATOR MATERIAL	B : PBT C : NYLON
7. SHELL PLATING	1 : NICKEL
8. MATING AND MOUNTING OPTIONS	00 : WITH BACK COVER AND KINKED SHELL PEG
9. GREEN PRODUCT	BLANK : NOT GREEN PRODUCT R : RoHS

 維鼎股份有限公司
 WEKANG CO., LTD.
 TEL:886-2-26436301 FAX:886-2-26432714

SIZE A4	UNIT mm	SCALE 2 / 1	SHEET 1 OF 1	
------------	------------	----------------	-----------------	---

GENERAL TOLERANCE
 X.X ±0.38
 X.XX ±0.25
 X.XXX ±0.15
 ANGLE TOLERANCE ±1°
 RADIUS ±0.25
 HOLE ±0.13

DRAWN.	Jean	DATE	08-04-2005	DRAWING NO.	UA11-040XXX00-R	W00001
CHECKED.	AMY	DATE	08-05-2005	TITLE.	USB A SERIES FEMALE STRAIGHT THRU-HOLE TYPE	
APPROVED.	HENRY	DATE	08-18-2005	PART NO.	UA11-040XXX00-R	REV A.0