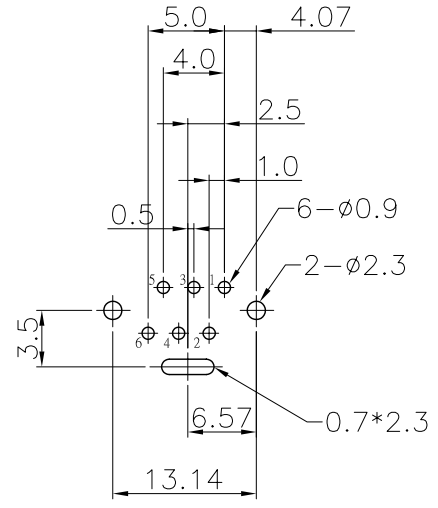
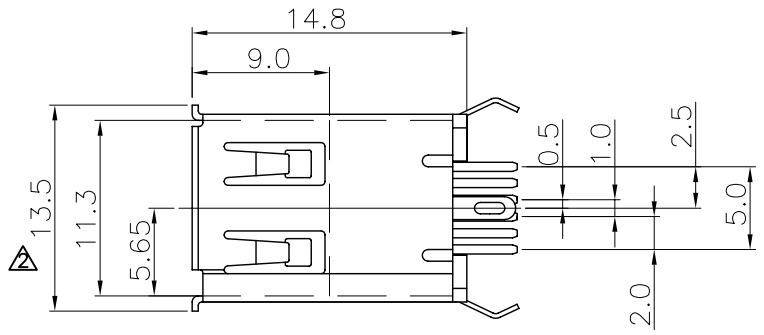
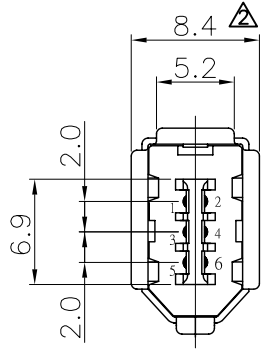
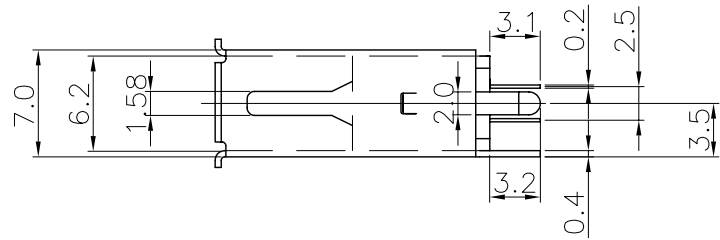


REV.	ECN.	DATE	DWN	APVD
A.1	ECN-060416	06/04/16	謝炎忠	STEVEN
A.2	ECN-060614-01	06/06/14	TRACY	HENRY



RECOMMENDED PCB LAYOUT

MATERIAL:

INSULATOR : PBT+30% GLASS FIBER (UL 94V-0)
 CONTACT : COPPER ALLOY
 CONTACT FINISH : GOLD ON MATING END, TIN ON TERMINATION END,
 WITH ENTIRE CONTACT NICKEL UNDERPLATED
 SHELL : COPPER ALLOY ,NICKEL PLATED

SPECIFICATION:

CURRENT RATING : 1.5AMP
 DIELECTRIC WITHSTANDING VOLTAGE : 500V AC
 INSULATION RESISTANCE : 100MΩ MIN.
 CONTACT RESISTANCE : 30mΩ MAX.
 OPERATING TEMPERATURE : -25°C ~ +85°C.

Order Information :

U E 1 1 - 0 6 0 7 1 B 1 0 0 - R
 1 2 3 4 5 6 7 8 9

1. SERIES NUMBER	UE11 :IEEE 1394 FEMALE VERTICAL THRU-HOLE TYPE 6PIN
2. POSITION	06 : 6 POSITIONS
3. CONTACT TYPE	0 : FEMALE
4. CONTACT PLATING	4 : SELECTIVE 15u" GOLD 6 : SELECTIVE 30u" GOLD 7 : SELECTIVE 3u" GOLD
5. INSULATOR COLOR	0 : WHITE 1 : BLACK N : NATURE
6. INSULATOR MATERIAL	B : PBT C : NYLON
7. SHELL PLATING	1 : NICKEL
8. MATING AND MOUNTING OPTIONS	00 : STANDARD TYPE
9. GREEN PRODUCT	BLANK : NOT GREEN PRODUCT R : RoHS

WEKANG 維鼎股份有限公司
 WEKANG CO., LTD.
 TEL:886-2-26436301 FAX:886-2-26432714

SIZE A4	UNIT mm	SCALE 2/1	SHEET 1 OF 1
---------	---------	-----------	--------------

GENERAL TOLERANCE
 X.X ±0.35
 X.XX ±0.25
 X.XXX ±0.05
 ANGLE TOLERANCE ±1°
 RADIUS ±0.25
 HOLE ±0.13

DRAWN.	JEAN	DATE	09 - 02 - 2005
CHECKED.	AMY	DATE	09 - 02 - 2005
APPROVED.	HENRY	DATE	09 - 09 - 2005

DRAWING NO.	UE11-060XXX00-R	W00001
TITLE.	IEEE 1394 FEMALE VERTICAL THRU-HOLE TYPE 6PIN	
PART NO.	UE11-060XXX00-R	REV A.2