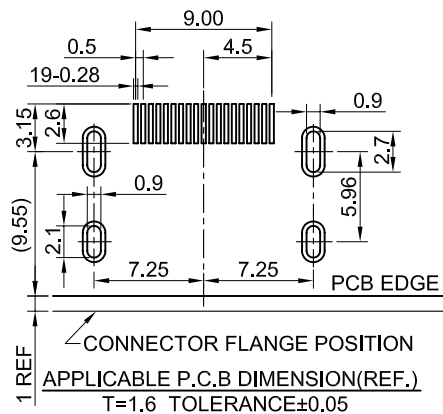
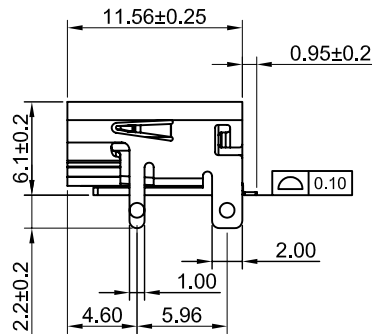
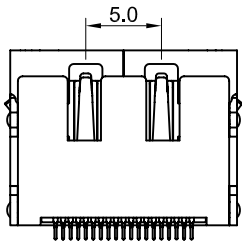
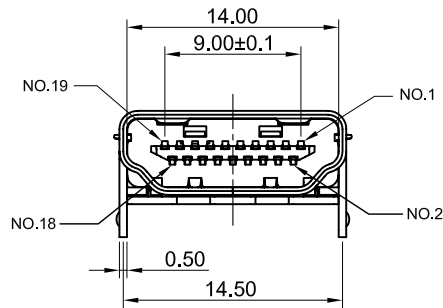
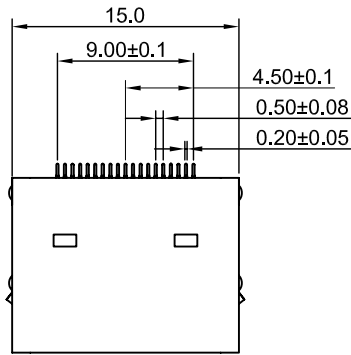


REV.	ECN.	DATE	DWN	APVD
A.1	ECN-061204-01	06/12/01	TRACY	JAMES



## MATERIAL:

INSULATOR : LCP+GLASS FIBER,UL 94V-0.

CONTACT : COPPER ALLOY,T=0.2

CONTACT FINISH : GOLD ON MATING END,MATTE TIN  
ON TERMINATION END,WITH ENTIRE  
CONTACT NICKEL UNDERPLATED.

SHELL : COPPER ALLOY ,NICKEL PLATED.

## SPECIFICATION:

CURRENT RATING : 0.5 AMP.

DIELECTRIC WITHSTANDING VOLTAGE : 500V AC FOR 1 MIN.

INSULATION RESISTANCE : 100MΩ MIN.

CONTACT RESISTANCE : 30mΩ MAX.

OPERATING TEMPERATURE : -20°C ~ +85°C.

## ORDER INFORMATION :

DM21-19061E100-R  
1 2 3 4 5 6 7 8 9 10

- |   |  |
|---|--|
| 1. SERIES NUMBER:   | 6. INSULATOR MATERIAL:   |
| 2. POSITION:<br>19=19PIN  | E=LCP  |
| 3. CONTACT TYPE:<br>0=FEMALE  | 7. SHELL PLATING:<br>1=NICKEL<br>2=BRIGHT TIN<br>4=GOLD<br>M=MATTE TIN |
| 4. CONTACT PLATING:<br>4=SELECTIVE 15u" GOLD<br>6=SELECTIVE 30u" GOLD<br>F=CONTACT AREA:30u" GOLD<br>TAIL AREA:GOLD FLASH | 8. OPTIONS:<br>0=W/O FLANGE<br>1=WITH FLANGE                           |
| 5. INSULATOR COLOR:<br>1=BLACK  | 9. PACKING:<br>0=IN TRAY<br>2=IN REEL                                  |
|   | 10. GREEN PRODUCT:<br>R=RoHS COMPLIANT                                 |



維鼎股份有限公司  
WEKANG CO., LTD.  
TEL:886-2-26436301 FAX:886-2-26432714

GENERAL TOLERANCE  
X.X ± 0.25  
X.XX ± 0.15  
X.XXX ± 0.05  
ANGLE TOLERANCE ± 1°  
RADIUS ± 0.25  
HOLE ± 0.13

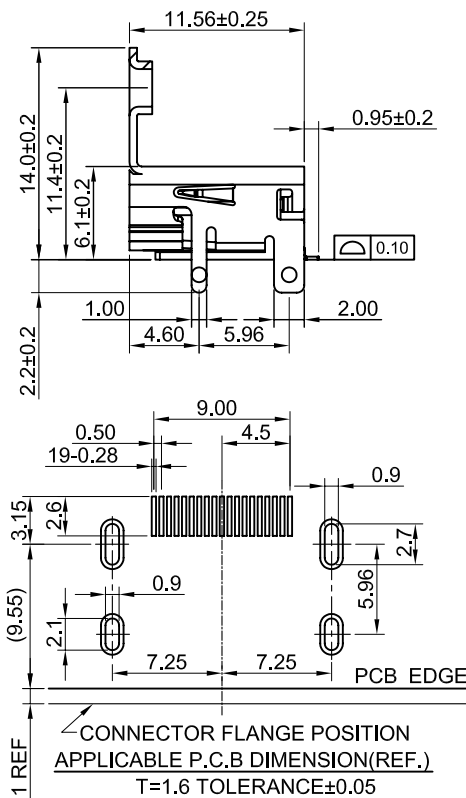
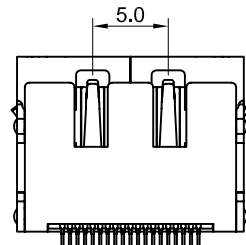
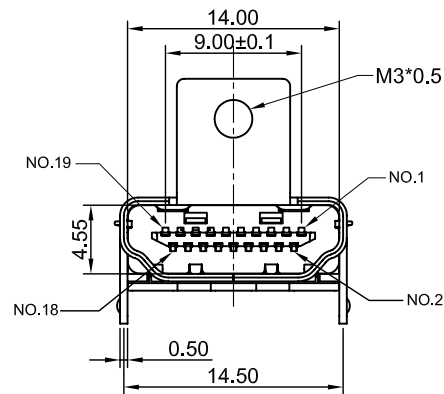
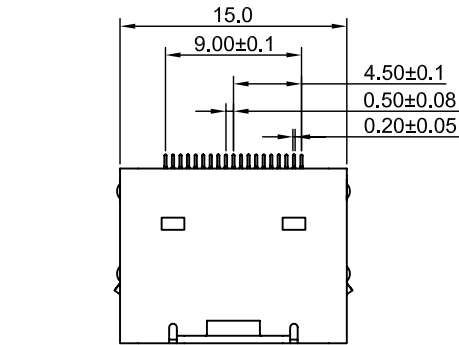
DRAWN. TRACY  
CHECKED. F. HSU  
APPROVED. JAMES

DATE 11 - 08 - 2006  
DATE 11 - 15 - 2006  
DATE 11 - 15 - 2006

DRAWING NO. DM21-190X1EX0X-R W00001  
TITLE. HDMI CONNECTOR RIGHT  
ANGLE SMD,JACK W/O FLANGE  
PART NO. DM21-190X1EX0X-R REV A.1

SIZE A4 UNIT mm SCALE. 2/1 SHEET. 1 OF 1

REV.	ECN.	DATE	DWN	APVD
A.1	ECN-061204-01	06/12/01	TRACY	JAMES



### MATERIAL:

INSULATOR : LCP+GLASS FIBER,UL 94V-0.  
CONTACT : COPPER ALLOY,T=0.2  
CONTACT FINISH : GOLD ON MATING END,MATTE TIN  
ON TERMINATION END,WITH ENTIRE  
CONTACT NICKEL UNDERPLATED.  
SHELL : COPPER ALLOY ,NICKEL PLATED.

### SPECIFICATION:

CURRENT RATING : 0.5 AMP.  
DIELECTRIC WITHSTANDING VOLTAGE : 500V AC FOR 1 MIN.  
INSULATION RESISTANCE : 100MΩ MIN.  
CONTACT RESISTANCE : 30mΩ MAX.  
OPERATING TEMPERATURE : -20°C ~ +85°C.

### ORDER INFORMATION :

DM21-19061E110-R  
1 2 3 4 5 6 7 8 9 10

- |                          |                        |
|--------------------------|------------------------|
| 1. SERIES NUMBER:        | 6. INSULATOR MATERIAL: |
| 2. POSITION:             | E=LCP                  |
| 19=19PIN                 | 7. SHELL PLATING:      |
| 3. CONTACT TYPE:         | 1=NICKEL               |
| 0=FEMALE                 | 2=BRIGHT TIN           |
| 4. CONTACT PLATING:      | 4=GOLD                 |
| 4=SELECTIVE 15u" GOLD    | M=MATTE TIN            |
| 6=SELECTIVE 30u" GOLD    | 8. OPTIONS:            |
| F=CONTACT AREA:30u" GOLD | 0=W/O FLANGE           |
| TAIL AREA:GOLD FLASH     | 1=WITH FLANGE          |
| 5. INSULATOR COLOR:      | 9. PACKING:            |
| 1=BLACK                  | 0=IN TRAY              |
|                          | 10. GREEN PRODUCT:     |
|                          | R=RoHS COMPLIANT       |



維鼎股份有限公司  
WEKANG CO., LTD.  
TEL:886-2-26436301 FAX:886-2-26432714

GENERAL TOLERANCE  
X.X ±0.25  
X.XX ±0.15  
X.XXX ±0.05  
ANGLE TOLERANCE ±1°  
RADIUS ±0.25  
HOLE ±0.13

DRAWN. TRACY  
CHECKED. F. HSU  
APPROVED. JAMES

DATE 11 - 08 - 2006  
DATE 11 - 15 - 2006  
DATE 11 - 15 - 2006

DRAWING NO. DM21-190X1EX10-R W00001  
TITLE. HDMI CONNECTOR RIGHT ANGLE SMD,JACK W/FLANGE  
PART NO. DM21-190X1EX10-R REV A.1

SIZE A4 UNIT mm SCALE 2 / 1 SHEET 1 OF 1