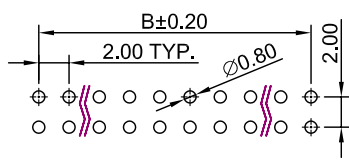
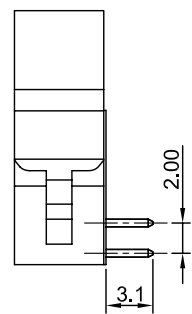
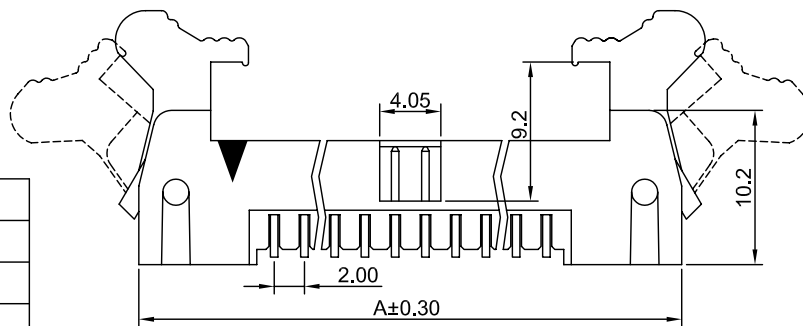
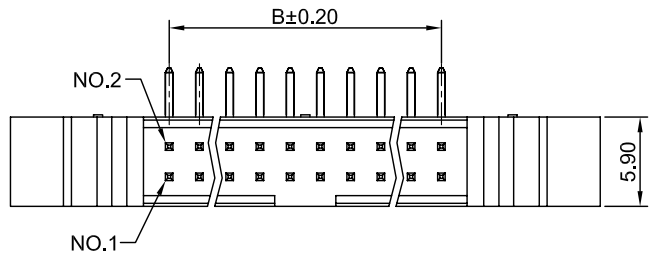


REV.	ECN.	DATE	DWN	APVD
A.1	ECN-070702-01	07/07/04	TRACY	HENRY



P.C.B. LAYOUT
TOP VIEW

POSITION	A	B
10	25.90	8.00
12	27.90	10.00
14	29.90	12.00
16	31.90	14.00
20	35.90	18.00
22	37.90	20.00
24	39.90	22.00
26	41.90	24.00
30	45.90	28.00
32	47.90	30.00
34	49.90	32.00
40	55.90	38.00
44	59.90	42.00
50	65.90	48.00

MATERIAL:

INSULATOR : THERMOPLASTIC ,UL 94V-0.
CONTACT : COPPER ALLOY.
CONTACT FINISH : GOLD OVER NICKEL.

SPECIFICATION:

CURRENT RATING : 1 A.
DIELECTRIC WITHSTANDING VOLTAGE : 800V AC FOR 1 MINUTE.
INSULATION RESISTANCE : 1000MΩ MIN. AT 500V DC.
CONTACT RESISTANCE : 20mΩ MAX.
OPERATING TEMPERATURE : -55°C ~ +105°C.

ORDER INFORMATION :

H L D 9 1 - 4 0 1 A 1 C 0 0 - R
1 2 3 4 5 6 7 8 9

- | | |
|--|---|
| 1. SERIES: | 6. INSULATOR MATERIAL:
C=NYLON |
| 2. POSITION:
10 12 14 16 20 22 24
26 30 32 34 40 44 50 | 7. OPTION:
0=W/ SHORT LATCH
1=W/ LONG LATCH |
| 3. CONTACT TYPE/MATERIAL:
1=MALE/COPPER ALLOY | 8. SPECIAL OPTION:
0=STANDARD TYPE |
| 4. CONTACT PLATING:
A=FULL GOLD FLASH
T=TIN | 9. GREEN PRODUCT:
R=RoHS COMPLIANT |
| 5. INSULATOR COLOR:
1=BLACK | |



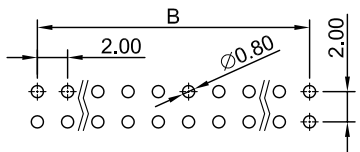
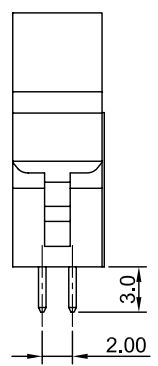
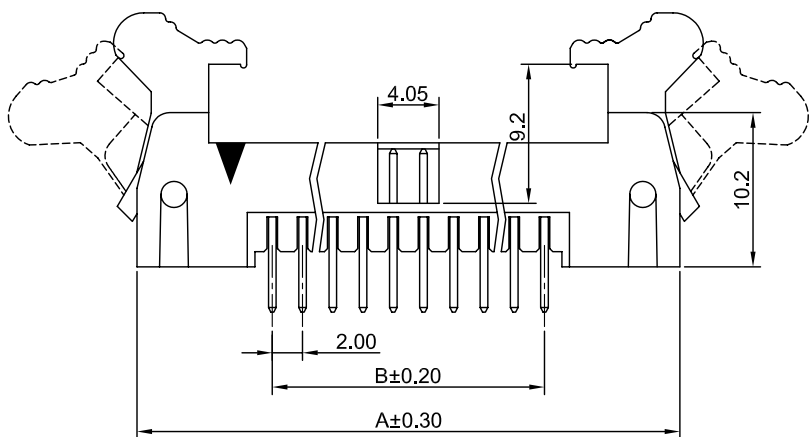
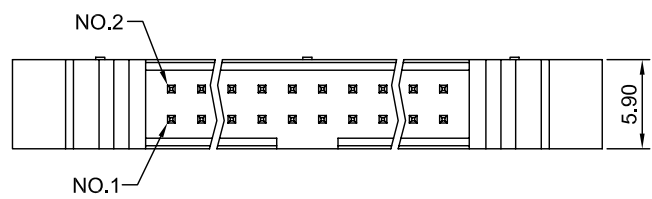
WEKANG CO., LTD.
<http://www.wekang.com>

GENERAL TOLERANCE
X.X ± 0.30
X.XX ± 0.20
X.XXX ± 0.10
ANGLE TOLERANCE ± 1°
RADIUS ± 0.25
HOLE ± 0.13

DRAWN.	JEAN	DATE	12 - 09 - 2005	DRAWING NO.	C-HL0002	CUSTOMER DRAWING
CHECKED.	HENRY	DATE	12 - 14 - 2005	TITLE.	2.0mm PITCH FULLY LATCH HEADER RIGHT ANGLE DIP TYPE ,W/SHORT LATCH	
APPROVED.	HENRY	DATE	12 - 14 - 2005	PART NO.	HLD91-XX1XXC00-R	REV A.1

SIZE A4	UNIT mm	SCALE. 2 : 1	SHEET. 1 OF 1	
------------	------------	-----------------	------------------	--

REV.	ECN.	DATE	DWN	APVD
A.1	ECN-070702-01	07/07/04	TRACY	HENRY



P.C.B. LAYOUT
TOP VIEW

POSITION	A	B
10	25.90	8.00
12	27.90	10.00
14	29.90	12.00
16	31.90	14.00
20	35.90	18.00
22	37.90	20.00
24	39.90	22.00
26	41.90	24.00
30	45.90	28.00
32	47.90	30.00
34	49.90	32.00
40	55.90	38.00
44	59.90	42.00
50	65.90	48.00

MATERIAL:

INSULATOR : THERMOPLASTIC ,UL 94V-0.
CONTACT : COPPER ALLOY.
CONTACT FINISH : GOLD OVER NICKEL.

SPECIFICATION:

CURRENT RATING : 1 A.
DIELECTRIC WITHSTANDING VOLTAGE : 800V AC FOR 1 MINUTE.
INSULATION RESISTANCE : 1000MΩ MIN. AT 500V DC.
CONTACT RESISTANCE : 20mΩ MAX.
OPERATING TEMPERATURE : -55°C ~ +105°C.

ORDER INFORMATION :

H L D 1 1 - 4 0 1 A 1 C 0 0 - R
1 2 3 4 5 6 7 8 9

- | | |
|--|---|
| 1. SERIES: | 6. INSULATOR MATERIAL:
C=NYLON |
| 2. POSITION:
10 12 14 16 20 22 24
26 30 32 34 40 44 50 | 7. OPTION:
0=W/ SHORT LATCH
1=W/ LONG LATCH |
| 3. CONTACT TYPE/MATERIAL:
1=MALE/COPPER ALLOY | 8. SPECIAL OPTION:
0=STANDARD TYPE |
| 4. CONTACT PLATING:
A=FULL GOLD FLASH
T=TIN | 9. GREEN PRODUCT:
R=RoHS COMPLIANT |
| 5. INSULATOR COLOR:
1=BLACK | |

WEKANG CO., LTD.
<http://www.wekang.com>

GENERAL TOLERANCE
X.X ± 0.30
X.XX ± 0.20
X.XXX ± 0.10
ANGLE TOLERANCE ± 1°
RADIUS ± 0.25
HOLE ± 0.13

DRAWN.	JEAN	DATE	12 - 09 - 2005	DRAWING NO.	C-HL0003	CUSTOMER DRAWING
CHECKED.	HENRY	DATE	12 - 14 - 2005	TITLE.	2.0mm PITCH FULLY LATCH HEADER STRAIGHT DIP TYPE ,W/SHORT LATCH	
APPROVED.	HENRY	DATE	12 - 14 - 2005	PART NO.	HLD11-XX1XXC00-R	REV A.1

SIZE	UNIT	SCALE.	SHEET.
A4	mm	2 : 1	1 OF 1

