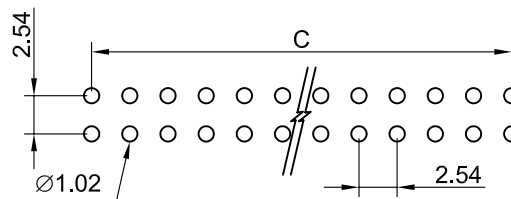
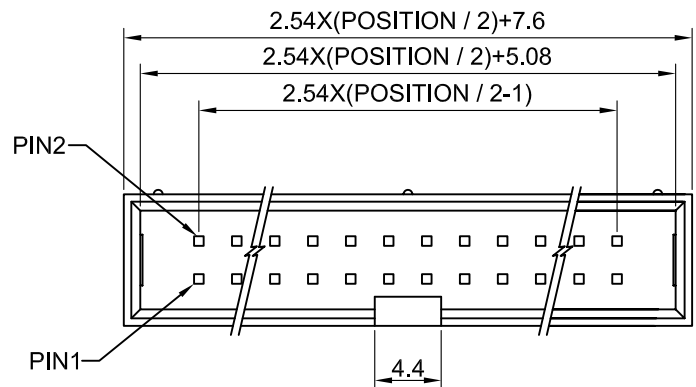


REV.	ECN.	DATE	DWN	APVD



PCB LAYOUT

MATERIAL:

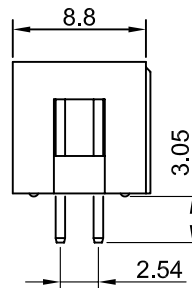
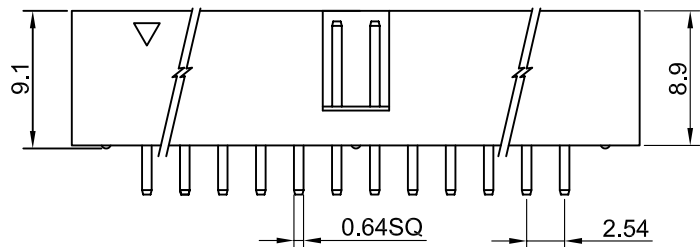
INSULATOR : PBT, OR NYLON,UL 94V-0.
 CONTACT : COPPER ALLOY.
 CONTACT FINISH : GOLD OVER NICKEL .

SPECIFICATION:

CURRENT RATING : 3 AMP.
 DIELECTRIC WITHSTANDING : AC 1000V.
 INSULATION RESISTANCE : 1000MΩ MIN.
 CONTACT RESISTANCE : 20mΩ MAX.
 OPERATING TEMPERATURE : -40°C ~ +105°C.

ORDER INFORMATION :

H B B 1 1 - 4 0 1 A 1 B 0 0 - R
 1 2 3 4 5 6 7 8

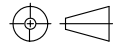


- | | |
|--|--|
| 1. SERIES NUMBER: | 6. INSULATOR MATERIAL: |
| 2. POSITION:
06 08 10 14 16 20 24 26
30 34 40 44 50 60 64 | B=PBT
C=NYLON |
| 3. CONTACT MATERIAL:
1=COPPER ALLOY | 7. SPECIAL OPTION:
00=STANDARD TYPE |
| 4. CONTACT PLATING:
A=FULL GOLD FLASH
T=TIN
◎STANDARD:A | 8. GREEN PRODUCT:
R=RoHS COMPLIANT |
| 5. INSULATOR COLOR:
0=WHITH
1=BLACK
7=BLUE
8=GRAY | |

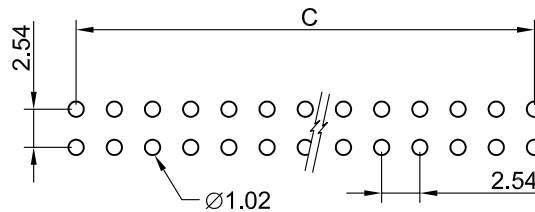
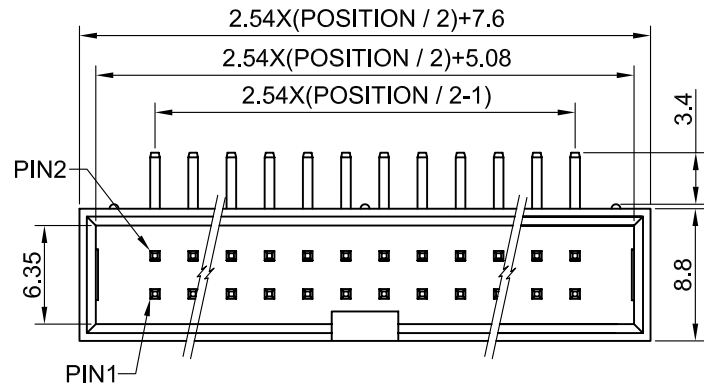
 維鼎股份有限公司
 WEKANG CO., LTD.
 TEL:886-2-26436301 FAX:886-2-26432714

GENERAL TOLERANCE
 ± 0.3

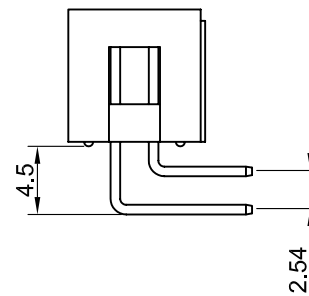
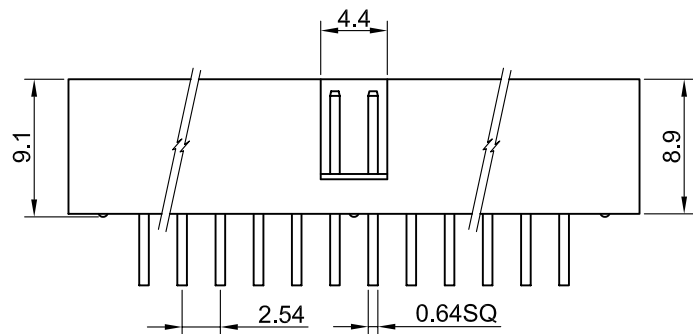
DRAWN. TRACY	DATE 09 - 25 - 2006	DRAWING NO. HBB11-XX1XXX00-R	C08001
CHECKED. F. HSU	DATE 10 - 24 - 2006	TITLE. 2.54mm PITCH BOX HEADER STRAIGHT DIP TYPE	
APPROVED. JAMES	DATE 10 - 24 - 2006	PART NO. HBB11-XX1XXX00-R	REV A.0

SIZE A4	UNIT mm	SCALE. 2/1	SHEET. 1 OF 1	
---------	---------	------------	---------------	---

REV.	ECN.	DATE	DWN	APVD



P.C.B LAYOUT



MATERIAL:

INSULATOR : PBT OR NYLON,UL 94V-0.
CONTACT : COPPER ALLOY.
CONTACT FINISH : GOLD OVER NICKEL .

SPECIFICATION:

CURRENT RATING : 3 AMP.
DIELECTRIC WITHSTANDING : AC 1000V.
INSULATION RESISTANCE : 1000MΩ MIN.
CONTACT RESISTANCE : 20mΩ MAX.
OPERATING TEMPERATURE : -40°C ~ +105°C.

ORDER INFORMATION :

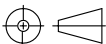
H B B 9 1 - 4 0 1 A 1 B 0 0 - R
1 2 3 4 5 6 7 8

- | | |
|--|--|
| 1. SERIES NUMBER: | 6. INSULATOR MATERIAL: |
| 2. POSITION:
06 08 10 14 16 20 24 26
30 34 40 44 50 60 64 | B=PBT
C=NYLON |
| 3. CONTACT MATERIAL:
1=COPPER ALLOY | 7. SPECIAL OPTION:
00=STANDARD TYPE |
| 4. CONTACT PLATING:
A=FULL GOLD FLASH
T=TIN
◎STANDARD:A | 8. GREEN PRODUCT:
R=RoHS COMPLIANT |
| 5. INSULATOR COLOR:
0=WHITH
1=BLACK
7=BLUE
8=GRAY | |

 維鼎股份有限公司
WEKANG CO., LTD.
TEL:886-2-26436301 FAX:886-2-26432714

GENERAL TOLERANCE
± 0.3

DRAWN.	TRACY	DATE	09 - 25 - 2006	DRAWING NO.	HBB91-XX1XXX00-R	C08001
CHECKED.	F. HSU	DATE	10 - 24 - 2006	TITLE.	2.54mm PITCH BOX HEADER RIGHT ANGLE, DIP TYPE	
APPROVED.	JAMES	DATE	10 - 24 - 2006	PART NO.	HBB91-XX1XXX00-R	REV A.0

SIZE A4	UNIT mm	SCALE. 2/1	SHEET. 1 OF 1	
------------	------------	---------------	------------------	---