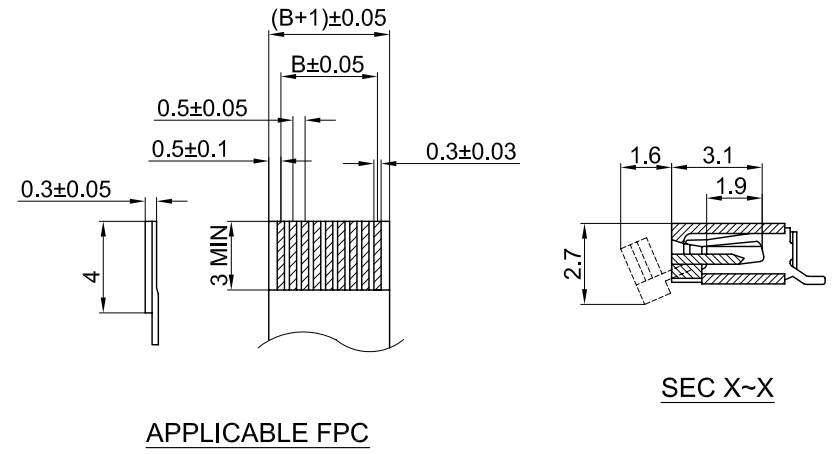
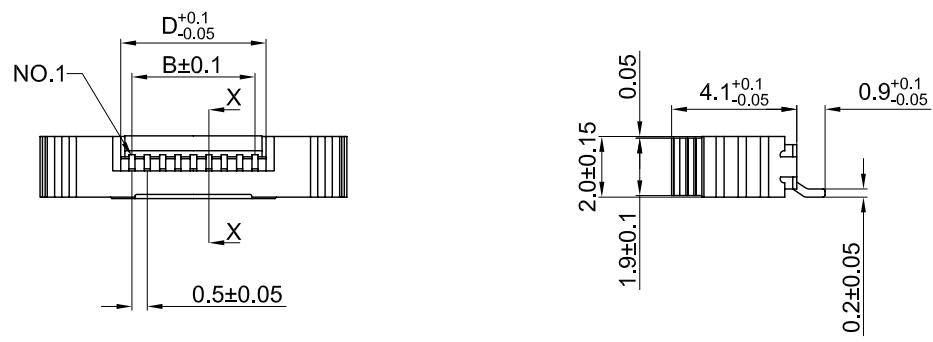
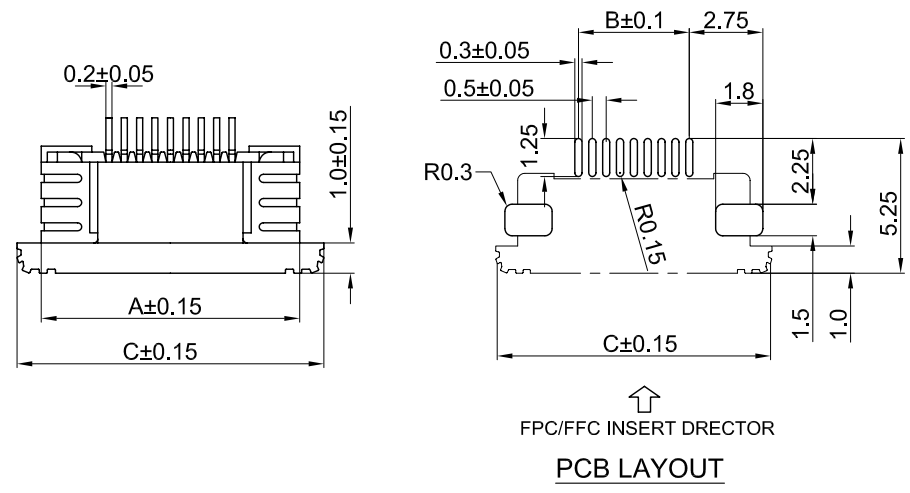


REV.	ECN.	DATE	DWN	APVD
A.1	ECN-060703-01	060704	TRACY	HENRY

POSITION	A	B	C	D
4	6.0	1.5	7.5	2.6
5	6.5	2.0	8.0	3.1
6	7.0	2.5	8.5	3.6
7	7.5	3.0	9.0	4.1
8	8.0	3.5	9.5	4.6
9	8.5	4.0	10.0	5.1
10	9.0	4.5	10.5	5.6
11	9.5	5.0	11.0	6.1
12	10.0	5.5	11.5	6.6
13	10.5	6.0	12.0	7.1
14	11.0	6.5	12.5	7.6
15	11.5	7.0	13.0	8.1
16	12.0	7.5	13.5	8.6
17	12.5	8.0	14.0	9.1
18	13.0	8.5	14.5	9.6
19	13.5	9.0	15.0	10.1
20	14.0	9.5	15.5	10.6
21	14.5	10.0	16.0	11.1
22	15.0	10.5	16.5	11.6
23	15.5	11.0	17.0	12.1
24	16.0	11.5	17.5	12.6
25	16.5	12.0	18.0	13.1
26	17.0	12.5	18.5	13.6
27	17.5	13.0	19.0	14.1
28	18.0	13.5	19.5	14.6
29	18.5	14.0	20.0	15.1
30	19.0	14.5	20.5	15.6
31	19.5	15.0	21.0	16.1
32	20.0	15.5	21.5	16.6
33	20.5	16.0	22.0	17.1
34	21.0	16.5	22.5	17.6
35	21.5	17.0	23.0	18.1
36	22.0	17.5	23.5	18.6
37	22.5	18.0	24.0	19.1
38	23.0	18.5	24.5	19.6
39	23.5	19.0	25.0	20.1
40	24.0	19.5	25.5	20.6
41	24.5	20.0	26.0	21.1
42	25.0	20.5	26.5	21.6
43	25.5	21.0	27.0	22.1
44	26.0	21.5	27.5	22.6
45	26.5	22.0	28.0	23.1
46	27.0	22.5	28.5	23.6
47	27.5	23.0	29.0	24.1
48	28.0	23.5	29.5	24.6
49	28.5	24.0	30.0	25.1
50	29.0	24.5	30.5	25.6



MATERIAL:

INSULATOR : THERMPLASTIC
 CONTACT : PHOSPHOR BRONZE
 CONTACT FINISH : TIN OVER NICKEL PLATED
 SOLDER PAD : COPPER ALLOY, TIN PLATED

SPECIFICATION:

CURRENT RATING : 0.4A
 DIELECTRIC WITHSTANDING VOLTAGE : 200V AC FOR 1 MINUTE ⚠
 OPERATING TEMPERATURE : -55°C ~ +85°C.

Order Information :

EFM23 - 0 4 2 T N C 0 1 - R
 1 2 3 4 5 6 7 8 9

1. SERIES NUMBER	EFM23 : 0.5mm PITCH FPC CONN. RIGHT ANGLE SMD, ZIF TYPE
2. POSITION	04 ~ 50
3. CONTACT TYPE	2 : PHOSPHOR BRONZE
4. CONTACT PLATING	T : TIN
5. INSULATOR COLOR	N : NATURE
6. INSULATOR MATERIAL	C : NYLON
7. OPTION	0 : TOP CONTACT
8. PACKING	1 : TUBE 2 : TAPE & REEL
9. GREEN PRODUCT	R : RoHS COMPLIANT ⚠

WEKANG CO., LTD.
 維鼎股份有限公司
 TEL:886-2-26436301 FAX:886-2-26432714

SIZE A4 UNIT mm SCALE. SHEET. 1 OF 1

GENERAL TOLERANCE
 X.X ±0.25
 X.XX ±0.15
 X.XXX ±0.05
 ANGLE TOLERANCE ±1°
 RADIUS ±0.25
 HOLE ±0.13

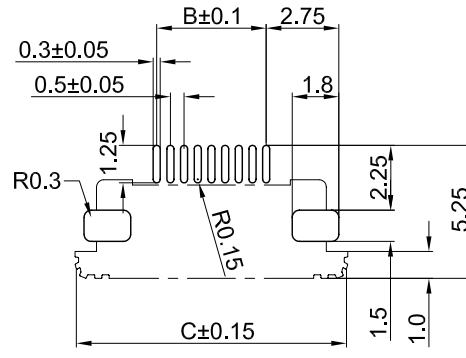
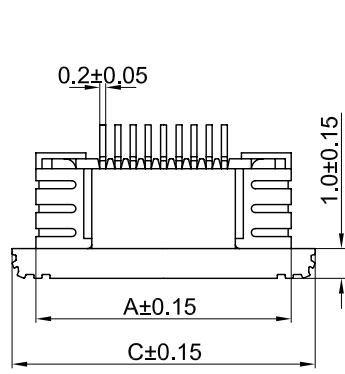
DRAWN. JEAN
 CHECKED. HENRY
 APPROVED. HENRY

DATE 02 - 23 - 2006
 DATE 03 - 06 - 2006
 DATE 03 - 06 - 2006

DRAWING NO. EFM23-XX2TNC0X-R C04009
 TITLE. 0.5mm PITCH FPC CONN.
 RIGHT ANGLE SMD, ZIF TYPE, TOP CONTACT
 PART NO. EFM23-XX2TNC0X-R REV A.1

REV.	ECN.	DATE	DWN	APVD
A.1	ECN-060703-01	060704	TRACY	HENRY

POSITION	A	B	C	D
4	6.0	1.5	7.5	2.6
5	6.5	2.0	8.0	3.1
6	7.0	2.5	8.5	3.6
7	7.5	3.0	9.0	4.1
8	8.0	3.5	9.5	4.6
9	8.5	4.0	10.0	5.1
10	9.0	4.5	10.5	5.6
11	9.5	5.0	11.0	6.1
12	10.0	5.5	11.5	6.6
13	10.5	6.0	12.0	7.1
14	11.0	6.5	12.5	7.6
15	11.5	7.0	13.0	8.1
16	12.0	7.5	13.5	8.6
17	12.5	8.0	14.0	9.1
18	13.0	8.5	14.5	9.6
19	13.5	9.0	15.0	10.1
20	14.0	9.5	15.5	10.6
21	14.5	10.0	16.0	11.1
22	15.0	10.5	16.5	11.6
23	15.5	11.0	17.0	12.1
24	16.0	11.5	17.5	12.6
25	16.5	12.0	18.0	13.1
26	17.0	12.5	18.5	13.6
27	17.5	13.0	19.0	14.1
28	18.0	13.5	19.5	14.6
29	18.5	14.0	20.0	15.1
30	19.0	14.5	20.5	15.6
31	19.5	15.0	21.0	16.1
32	20.0	15.5	21.5	16.6
33	20.5	16.0	22.0	17.1
34	21.0	16.5	22.5	17.6
35	21.5	17.0	23.0	18.1
36	22.0	17.5	23.5	18.6
37	22.5	18.0	24.0	19.1
38	23.0	18.5	24.5	19.6
39	23.5	19.0	25.0	20.1
40	24.0	19.5	25.5	20.6
41	24.5	20.0	26.0	21.1
42	25.0	20.5	26.5	21.6
43	25.5	21.0	27.0	22.1
44	26.0	21.5	27.5	22.6
45	26.5	22.0	28.0	23.1
46	27.0	22.5	28.5	23.6
47	27.5	23.0	29.0	24.1
48	28.0	23.5	29.5	24.6
49	28.5	24.0	30.0	25.1
50	29.0	24.5	30.5	25.6

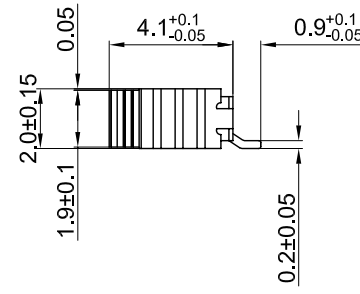
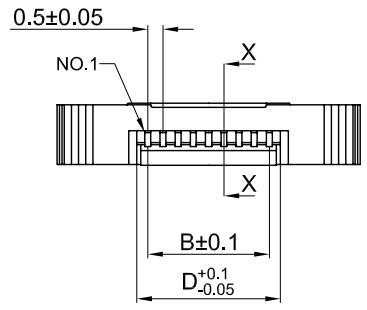


MATERIAL:

INSULATOR : THERMPLASTIC
 CONTACT : PHOSPHOR BRONZE
 CONTACT FINISH : TIN OVER NICKEL PLATED
 SOLDER PAD : COPPER ALLOY, TIN PLATED

SPECIFICATION:

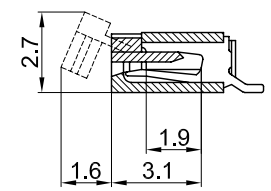
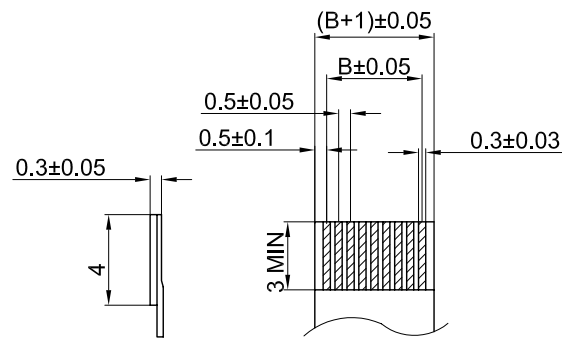
CURRENT RATING : 0.4A
 DIELECTRIC WITHSTANDING VOLTAGE : 200V AC FOR 1 MINUTE \triangle
 OPERATING TEMPERATURE : -55°C ~ +85°C.



Order Information :

EFM23 - 04 2 T N C 1 1 - R
 1 2 3 4 5 6 7 8 9

1. SERIES NUMBER	EFM23 : 0.5mm PITCH FPC CONN. RIGHT ANGLE SMD, ZIF TYPE
2. POSITION	04 ~ 50
3. CONTACT TYPE	2 : PHOSPHOR BRONZE
4. CONTACT PLATING	T : TIN
5. INSULATOR COLOR	N : NATURE
6. INSULATOR MATERIAL	C : NYLON
7. OPTION	1 : BOTTOM CONTACT
8. PACKING	1 : TUBE 2 : TAPE & REEL
9. GREEN PRODUCT	R : RoHS COMPLIANT \triangle



APPLICABLE FPC

維鼎股份有限公司
WEKANG CO., LTD.
 TEL:886-2-26436301 FAX:886-2-26432714

SIZE A4	UNIT mm	SCALE	SHEET 1 OF 1
---------	---------	-------	--------------

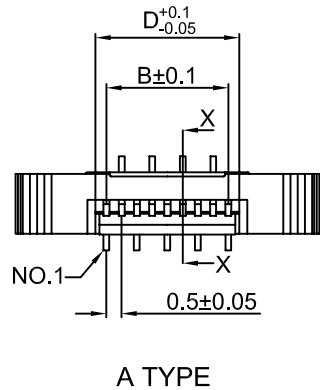
GENERAL TOLERANCE
 X.X ± 0.25
 X.XX ± 0.15
 X.XXX ± 0.05
 ANGLE TOLERANCE ± 1°
 RADIUS ± 0.25
 HOLE ± 0.13

DRAWN. JEAN
 CHECKED. HENRY
 APPROVED. HENRY

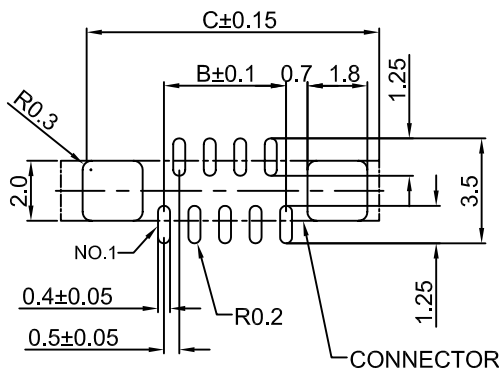
DATE 02 - 23 - 2006
 DATE 03 - 06 - 2006
 DATE 03 - 06 - 2006

DRAWING NO. EFM23-XX2TNC1X-R C04009
 TITLE 0.5mm PITCH FPC CONN. RIGHT ANGLE SMD, ZIF TYPE, BOTTOM CONTACT
 PART NO. EFM23-XX2TNC1X-R REV A.1

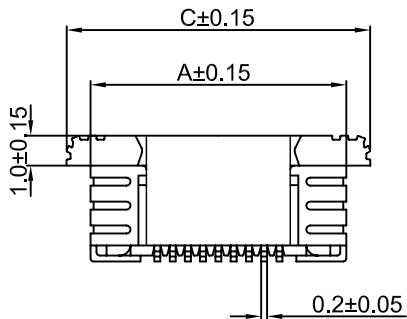
POSITION	A	B	C	D
4	6.0	1.5	7.5	2.6
5	6.5	2.0	8.0	3.1
6	7.0	2.5	8.5	3.6
7	7.5	3.0	9.0	4.1
8	8.0	3.5	9.5	4.6
9	8.5	4.0	10.0	5.1
10	9.0	4.5	10.5	5.6
11	9.5	5.0	11.0	6.1
12	10.0	5.5	11.5	6.6
13	10.5	6.0	12.0	7.1
14	11.0	6.5	12.5	7.6
15	11.5	7.0	13.0	8.1
16	12.0	7.5	13.5	8.6
17	12.5	8.0	14.0	9.1
18	13.0	8.5	14.5	9.6
19	13.5	9.0	15.0	10.1
20	14.0	9.5	15.5	10.6
21	14.5	10.0	16.0	11.1
22	15.0	10.5	16.5	11.6
23	15.5	11.0	17.0	12.1
24	16.0	11.5	17.5	12.6
25	16.5	12.0	18.0	13.1
26	17.0	12.5	18.5	13.6
27	17.5	13.0	19.0	14.1
28	18.0	13.5	19.5	14.6
29	18.5	14.0	20.0	15.1
30	19.0	14.5	20.5	15.6
31	19.5	15.0	21.0	16.1
32	20.0	15.5	21.5	16.6
33	20.5	16.0	22.0	17.1
34	21.0	16.5	22.5	17.6
35	21.5	17.0	23.0	18.1
36	22.0	17.5	23.5	18.6
37	22.5	18.0	24.0	19.1
38	23.0	18.5	24.5	19.6
39	23.5	19.0	25.0	20.1
40	24.0	19.5	25.5	20.6
41	24.5	20.0	26.0	21.1
42	25.0	20.5	26.5	21.6
43	25.5	21.0	27.0	22.1
44	26.0	21.5	27.5	22.6
45	26.5	22.0	28.0	23.1
46	27.0	22.5	28.5	23.6
47	27.5	23.0	29.0	24.1
48	28.0	23.5	29.5	24.6
49	28.5	24.0	30.0	25.1
50	29.0	24.5	30.5	25.6



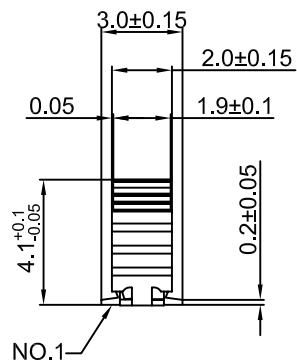
A TYPE



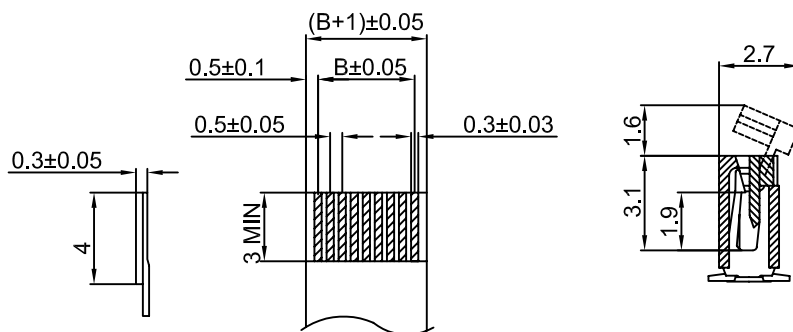
PCB LAYOUT



APPLICABLE FPC



SEC X-X



REV.	ECN.	DATE	DWN	APVD
A.1	ECN-060703-01	060704	TRACY	HENRY

MATERIAL:

INSULATOR : THERMPLASTIC
 CONTACT : PHOSPHOR BRONZE
 CONTACT FINISH : TIN OVER NICKEL PLATED
 SOLDER PAD : COPPER ALLOY, TIN OVER NICKEL PLATED

SPECIFICATION:

CURRENT RATING : 0.4A
 DIELECTRIC WITHSTANDING VOLTAGE : 200V AC FOR 1 MINUTE Δ
 OPERATING TEMPERATURE : -55°C ~ +85°C.

Order Information :

EFM43 - 0 4 2 T N C 0 1 - R
 1 2 3 4 5 6 7 8 9

1. SERIES NUMBER	EFM43 : 0.5mm PITCH FPC CONN. STRAIGHT SMD, ZIF TYPE
2. POSITION	04 ~ 50
3. CONTACT TYPE	2 : PHOSPHOR BRONZE
4. CONTACT PLATING	T : TIN
5. INSULATOR COLOR	N : NATURE
6. INSULATOR MATERIAL	C : NYLON
7. OPTION	0 : A TYPE
8. PACKING	1 : TUBE 2 : TAPE & REEL
9. GREEN PRODUCT	R : RoHS COMPLIANT Δ

WEKANG CO., LTD.
 維鼎股份有限公司
 TEL:886-2-26436301 FAX:886-2-26432714

SIZE A4 UNIT mm SCALE. SHEET. 1 OF 1

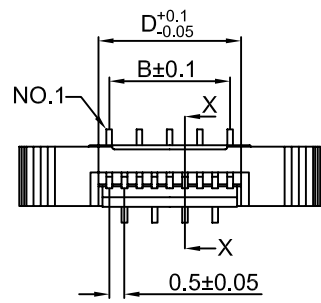
GENERAL TOLERANCE
 X.X ±0.25
 X.XX ±0.15
 X.XXX ±0.05
 ANGLE TOLERANCE ±1°
 RADIUS ±0.25
 HOLE ±0.13

DRAWN.	JEAN	DATE	02 - 23 - 2006
CHECKED.	HENRY	DATE	03 - 06 - 2006
APPROVED.	HENRY	DATE	03 - 06 - 2006

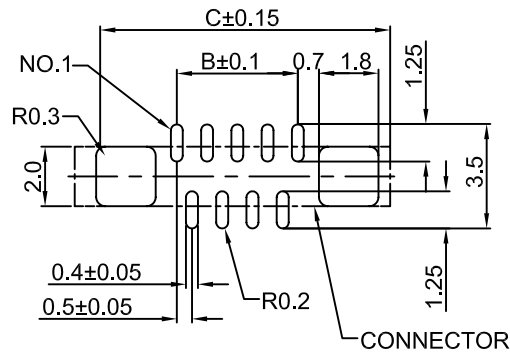
DRAWING NO.	EFM43-XX2TNC0X-R	C04009
TITLE.	0.5mm PITCH FPC CONN. STRAIGHT SMD, ZIF, A TYPE	
PART NO.	EFM43-XX2TNC0X-R	REV A.1

REV.	ECN.	DATE	DWN	APVD
A.1	ECN-060703-01	060704	TRACY	HENRY

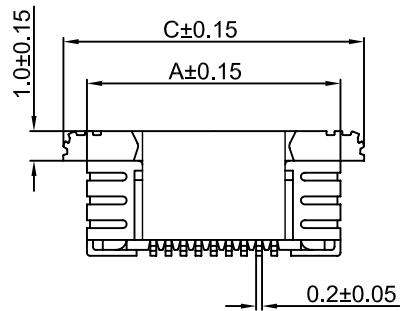
POSITION	A	B	C	D
4	6.0	1.5	7.5	2.6
5	6.5	2.0	8.0	3.1
6	7.0	2.5	8.5	3.6
7	7.5	3.0	9.0	4.1
8	8.0	3.5	9.5	4.6
9	8.5	4.0	10.0	5.1
10	9.0	4.5	10.5	5.6
11	9.5	5.0	11.0	6.1
12	10.0	5.5	11.5	6.6
13	10.5	6.0	12.0	7.1
14	11.0	6.5	12.5	7.6
15	11.5	7.0	13.0	8.1
16	12.0	7.5	13.5	8.6
17	12.5	8.0	14.0	9.1
18	13.0	8.5	14.5	9.6
19	13.5	9.0	15.0	10.1
20	14.0	9.5	15.5	10.6
21	14.5	10.0	16.0	11.1
22	15.0	10.5	16.5	11.6
23	15.5	11.0	17.0	12.1
24	16.0	11.5	17.5	12.6
25	16.5	12.0	18.0	13.1
26	17.0	12.5	18.5	13.6
27	17.5	13.0	19.0	14.1
28	18.0	13.5	19.5	14.6
29	18.5	14.0	20.0	15.1
30	19.0	14.5	20.5	15.6
31	19.5	15.0	21.0	16.1
32	20.0	15.5	21.5	16.6
33	20.5	16.0	22.0	17.1
34	21.0	16.5	22.5	17.6
35	21.5	17.0	23.0	18.1
36	22.0	17.5	23.5	18.6
37	22.5	18.0	24.0	19.1
38	23.0	18.5	24.5	19.6
39	23.5	19.0	25.0	20.1
40	24.0	19.5	25.5	20.6
41	24.5	20.0	26.0	21.1
42	25.0	20.5	26.5	21.6
43	25.5	21.0	27.0	22.1
44	26.0	21.5	27.5	22.6
45	26.5	22.0	28.0	23.1
46	27.0	22.5	28.5	23.6
47	27.5	23.0	29.0	24.1
48	28.0	23.5	29.5	24.6
49	28.5	24.0	30.0	25.1
50	29.0	24.5	30.5	25.6



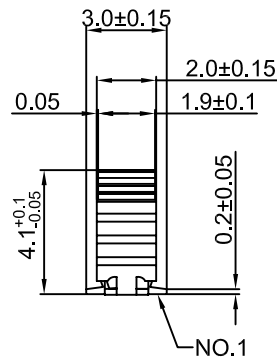
B TYPE



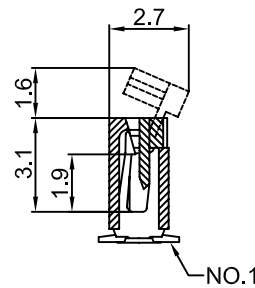
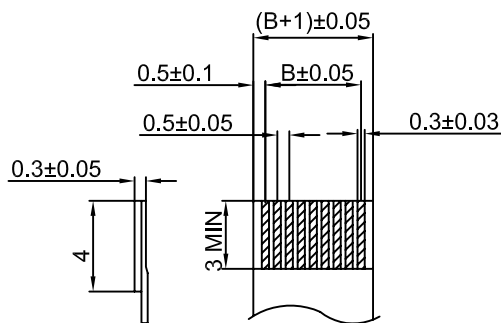
PCB LAYOUT



APPLICABLE FPC



SEC X-X



MATERIAL:

INSULATOR : THERMPLASTIC
 CONTACT : PHOSPHOR BRONZE
 CONTACT FINISH : TIN OVER NICKEL PLATED
 SOLDER PAD : COPPER ALLOY, TIN OVER NICKEL PLATED

SPECIFICATION:

CURRENT RATING : 0.4A
 DIELECTRIC WITHSTANDING VOLTAGE : 200V AC FOR 1 MINUTE Δ
 OPERATING TEMPERATURE : -55°C ~ +85°C.

Order Information :

EFM43 - 042 T N C 1 1 - R
 1 2 3 4 5 6 7 8 9

1. SERIES NUMBER	EFM43 : 0.5mm PITCH FPC CONN. STRAIGHT SMD, ZIF TYPE
2. POSITION	04 ~ 50
3. CONTACT TYPE	2 : PHOSPHOR BRONZE
4. CONTACT PLATING	T : TIN
5. INSULATOR COLOR	N : NATURE
6. INSULATOR MATERIAL	C : NYLON
7. OPTION	1 : B TYPE
8. PACKING	1 : TUBE 2 : TAPE & REEL
9. GREEN PRODUCT	R : RoHS COMPLIANT Δ

WEKANG CO., LTD.
 維鼎股份有限公司
 TEL:886-2-26436301 FAX:886-2-26432714

SIZE A4	UNIT mm	SCALE	SHEET 1 OF 1
------------	------------	-------	-----------------

GENERAL TOLERANCE
 X.X ± 0.25
 X.XX ± 0.15
 X.XXX ± 0.05
 ANGLE TOLERANCE ± 1°
 RADIUS ± 0.25
 HOLE ± 0.13

DRAWN. JEAN
 CHECKED. HENRY
 APPROVED. HENRY

DATE 02 - 23 - 2006
 DATE 03 - 06 - 2006
 DATE 03 - 06 - 2006

DRAWING NO. EFM43-XX2TNC1X-R C04009
 TITLE. 0.5mm PITCH FPC CONN.
STRAIGHT SMD, ZIF, B TYPE
 PART NO. EFM43-XX2TNC1X-R REV A.1