

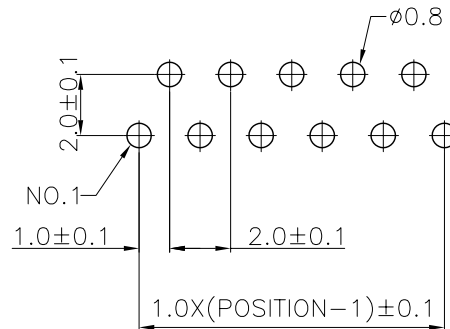
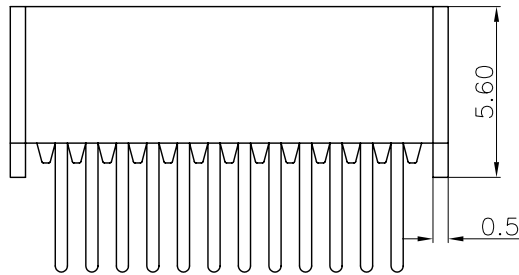
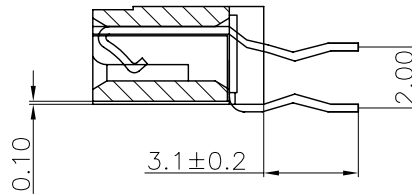
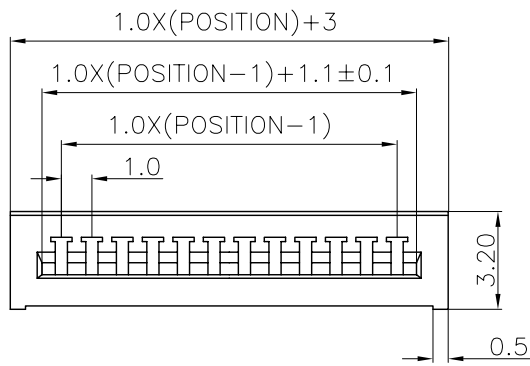
REV.	ECN.	DATE	DWN	APVD

**MATERIAL:**

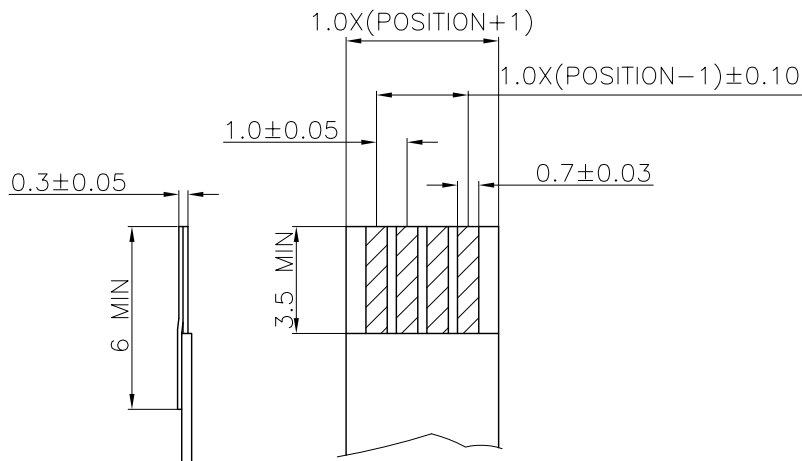
INSULATOR : PBT + UL94V-0  
 CONTACT : PHOSPHOR BRONZE  
 CONTACT FINISH : TIN OVER NICKEL PLATED

**SPECIFICATION:**

CURRENT RATING : 0.5A  
 DIELECTRIC WITHSTANDING VOLTAGE : 500V AC FOR 1 MINUTE  
 INSULATION RESISTANCE : 500MΩ MIN.  
 CONTACT RESISTANCE : 30mΩ MAX.  
 OPERATING TEMPERATURE : -55°C ~ +105°C.



PCB LAYOUT



APPLICABLE FPC

**Order Information :**

EFJ 11 - 1 2 2 T 1 B 0 1 - R  
 1 2 3 4 5 6 7 8

1. SERIES NUMBER	EFJ11 : 1.0mm PITCH FPC CONN. STRAIGHT DIP, NON ZIF TYPE(LIF)
2. POSITION	04 ~ 32
3. CONTACT TYPE	2 : PHOSPHOR BRONZE
4. CONTACT PLATING	T : TIN
5. INSULATOR COLOR	1 : BLACK
6. INSULATOR MATERIAL	B : PBT
7. PACKING	1 : TUBE
8. GREEN PRODUCT	BLANK : NOT GREEN PRODUCT R : RoHS COMPLIANT



維鼎股份有限公司  
 WEKANG CO., LTD.  
 TEL:886-2-26436301 FAX:886-2-26432714

GENERAL TOLERANCE  
 X.X ±0.25  
 X.XX ±0.15  
 X.XXX ±0.05  
 ANGLE TOLERANCE ±1°  
 RADIUS ±0.25  
 HOLE ±0.13

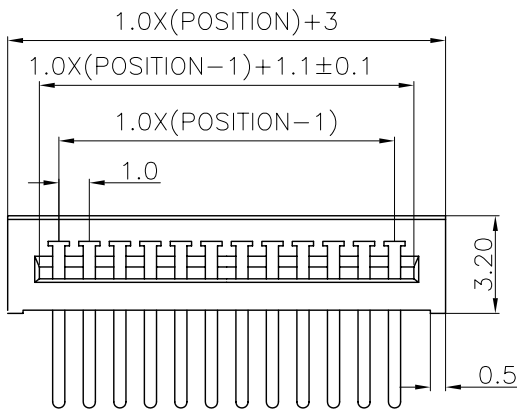
DRAWN. JEAN  
 CHECKED. HENRY  
 APPROVED. HENRY

DATE 02 - 23 - 2006  
 DATE 02 - 27 - 2006  
 DATE 02 - 27 - 2006

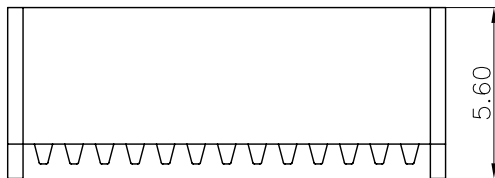
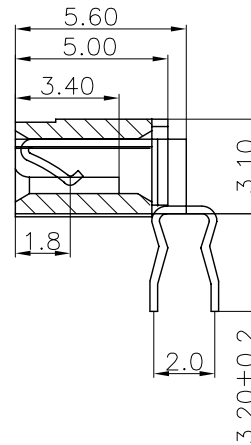
DRAWING NO. EFJ11-XX2T1B01-R C10021  
 TITLE. 1.0mm PITCH FPC CONN.  
STRAIGHT DIP, NON ZIF TYPE(LIF)  
 PART NO. EFJ11XX2T1B01-R REV A.0

SIZE A4 UNIT mm SCALE 4/1 SHEET 1 OF 1

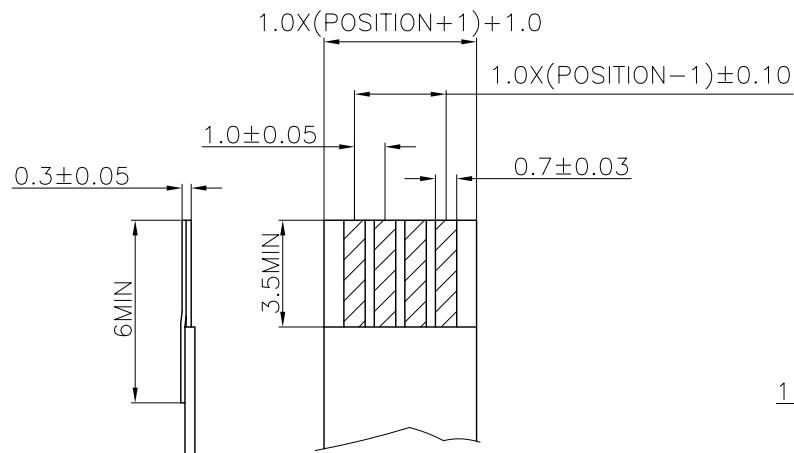
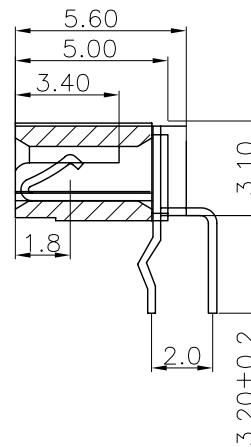
REV.	ECN.	DATE	DWN	APVD



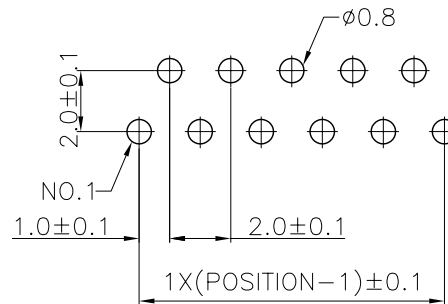
TOP CONTACT



BOTTOM CONTACT



APPLICABLE FPC



PCB LAYOUT

**MATERIAL:**

INSULATOR : PBT + UL94V-0  
 CONTACT : PHOSPHOR BRONZE  
 CONTACT FINISH : TIN OVER NICKEL PLATED

**SPECIFICATION:**

CURRENT RATING : 0.5A  
 DIELECTRIC WITHSTANDING VOLTAGE : 500V AC FOR 1 MINUTE  
 INSULATION RESISTANCE : 500MΩ MIN.  
 CONTACT RESISTANCE : 30mΩ MAX.  
 OPERATING TEMPERATURE : -55°C ~ +105°C.

**Order Information :**

EFJ91 - 1 2 2 T 1 B 1 1 - R  
1 2 3 4 5 6 7 8 9

1. SERIES NUMBER	EFJ91 : 1.0mm PITCH FPC CONN. RIGHT ANGLE DIP, NON ZIF TYPE(LIF)
2. POSITION	04 ~ 32
3. CONTACT TYPE	2 : PHOSPHOR BRONZE
4. CONTACT PLATING	T : TIN
5. INSULATOR COLOR	1 : BLACK
6. INSULATOR MATERIAL	B : PBT
7. OPTION	0 : TOP CONTACT 1 : BOTTOM CONTACT
8. PACKING	1 : TUBE
9. GREEN PRODUCT	BLANK : NOT GREEN PRODUCT R : RoHS COMPLIANT



維鼎股份有限公司  
 WEKANG CO., LTD.  
 TEL:886-2-26436301 FAX:886-2-26432714

GENERAL TOLERANCE  
 X.X ±0.25  
 X.XX ±0.15  
 X.XXX ±0.05  
 ANGLE TOLERANCE ±1°  
 RADIUS ±0.25  
 HOLE ±0.13

DRAWN.	JEAN	DATE	02 - 23 - 2006
CHECKED.	HENRY	DATE	02 - 27 - 2006
APPROVED.	HENRY	DATE	02 - 27 - 2006

DRAWING NO.	EFJ91-XX2T1BX1-R	C10021
TITLE.	1.0mm PITCH FPC CONN. RIGHT ANGLE DIP, NON ZIF TYPE(LIF)	
PART NO.	EFJ91-XX2T1BX1-R	REV A.0

SIZE A4	UNIT mm	SCALE. 4/1	SHEET. 1 OF 1	
---------	---------	------------	---------------	--