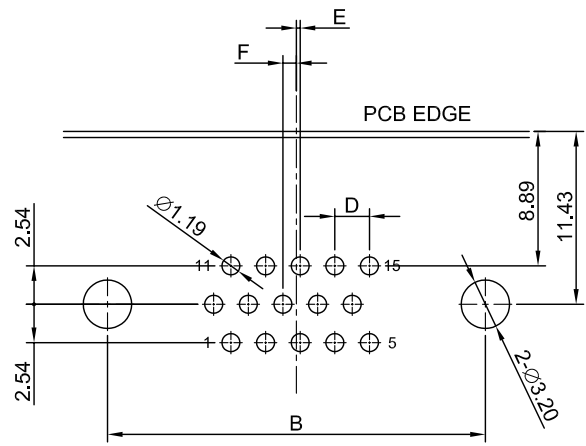
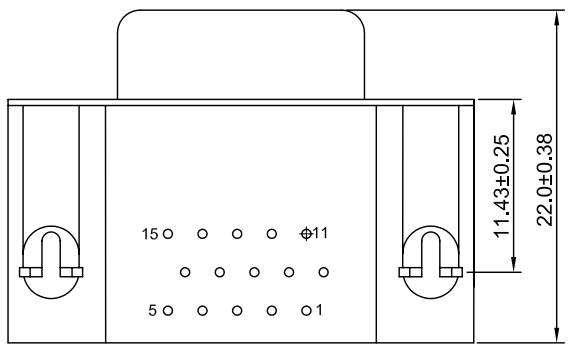
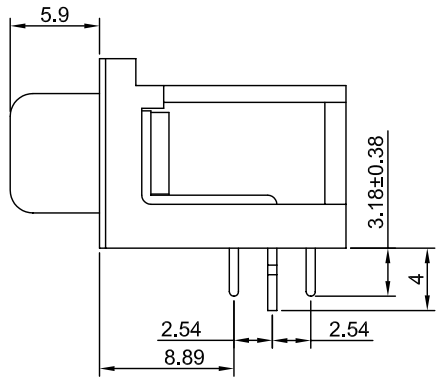
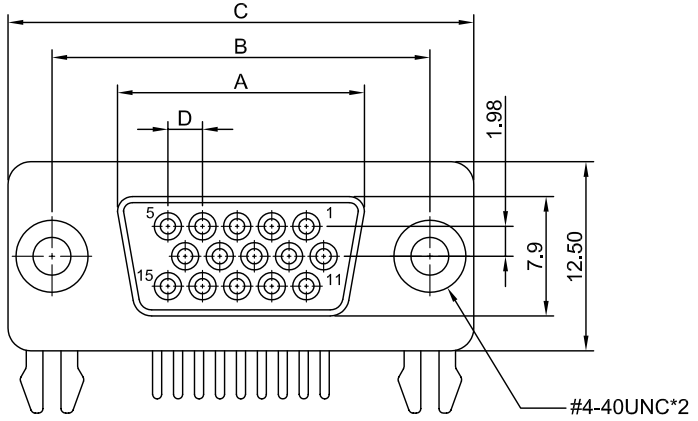


REV.	ECN.	DATE	DWN	APVD
A.1	ECN-070321-01	07/03/28	TRACY	HENRY
A.2	ECN-071119-01	07/11/19	TRACY	HENRY



POSITION	A±0.20	B±0.20	C±0.38	D	E	F
15 PIN	16.30	25.00	30.80	2.29	0.25	0.89
26 PIN	24.60	33.30	39.20	2.29	0.51	0.64
44 PIN	38.35	47.05	53.05	2.29	0.51	0.64
62 PIN	54.80	63.50	69.40	2.41	0.58	0.62

MATERIAL:

INSULATOR : PBT, UL 94V-0.
 CONTACT : COPPER ALLOY.
 CONTACT FINISH : GOLD OVER NICKEL.
 SHELL : STEEL.
 BOARDLOCK : BRASS, TIN PLATED.
 RIVETED INSERT : BRASS, NICKEL PLATED.

SPECIFICATION:

CURRENT RATING : 2 AMP
 DIELECTRIC WITHSTANDING VOLTAGE : 1000V AC FOR 1 MINUTE.
 INSULATION RESISTANCE : 1000MΩ MIN. AT 500V DC.
 CONTACT RESISTANCE : 15mΩ MAX.
 OPERATING TEMPERATURE : -55°C ~ +105°C.

ORDER INFORMATION :

DH92 - 15 0 1 1 B 1 0 0 - R
 1 2 3 4 5 6 7 8 9 10

- SERIES:
- POSITION:
15 26 44 62 78 A4(A4=104PIN)
- CONTACT TYPE/MATERIAL:
0=FEMALE/COPPER ALLOY
1=MALE/COPPER ALLOY
- CONTACT PLATING:
1=SELECTIVE GOLD FLASH
4=SELECTIVE 15u" GOLD
6=SELECTIVE 30u" GOLD
A=FULL GOLD FLASH
- INSULATOR COLOR:
1=BLACK
7=BLUE
9=FOR PC99 COLOR (15PIN=BLUE)
- INSULATOR MATERIAL:
B=PBT
C=NYLON
- SHELL PLATING:
1=NICKEL
- GROUNDING OPTION:
0=RIVET W/BOARDLOCK
1=BOARDLOCK
2=RIVET W/4 PRONG BOARDLOCK
3=RIVET W/NON-THREAD L-SHAPE
5=RIVET ONLY
- MATING OPTION:
0=4#40 THREAD RIVET
1=FIXED HEX-SCREWS 4.8X11.8mm
2=M2.6 THREAD RIVET
3=M3.0 THREAD RIVET
4=4#40 THREAD 5.8mm HEX RIVET
5=NON THREAD RIVET
6=FIXED HEX-SCREWS 5.8X12.8mm
7=LOOSE HEX-SCREWS
8=4#40 THREAD 5.8mm ROUND RIVET
- GREEN PRODUCT:
R=RoHS COMPLIANT

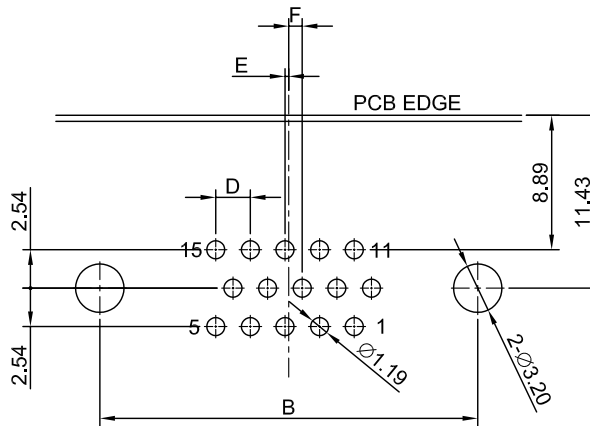
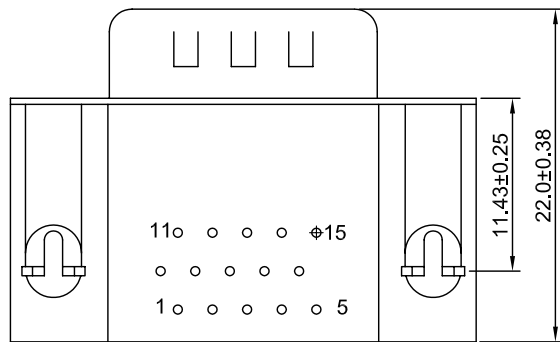
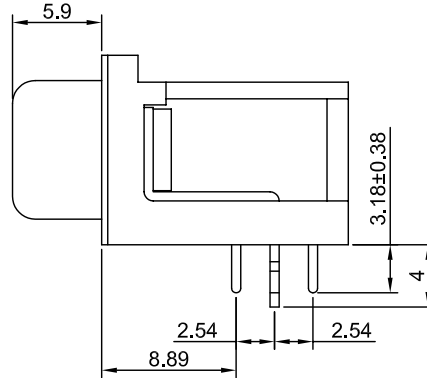
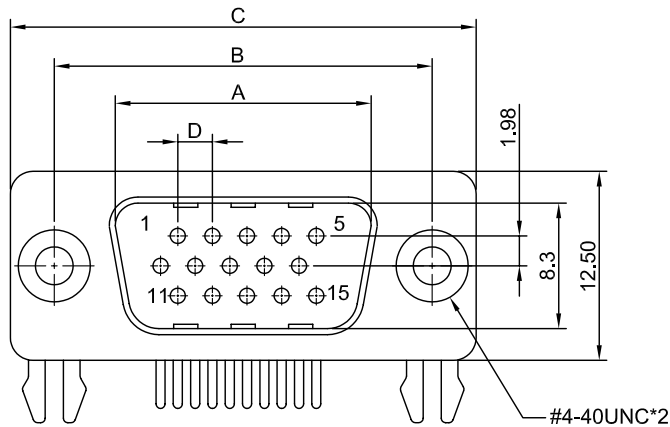
WEKANG CO., LTD.
<http://www.wekang.com>

SIZE A4 UNIT mm SCALE. 2 : 1 SHEET. 1 OF 1

GENERAL TOLERANCE
 X.X ± 0.25
 X.XX ± 0.15
 X.XXX ± 0.05
 ANGLE TOLERANCE ± 1°
 RADIUS ± 0.25
 HOLE ± 0.13

DRAWN. Peter	DATE 05 - 10 - 2005	DRAWING NO. C-DH0003	CUSTOMER DRAWING
CHECKED. HENRY	DATE 05 - 13 - 2005	TITLE. HIGH DENSITY D-SUB CONN. RIGHT ANGLE FEMALE FOOTPRINT : 8.89mm	
APPROVED. HENRY	DATE 05 - 13 - 2005	PART NO. DH92-XX0XXX00-R	REV A.2

REV.	ECN.	DATE	DWN	APVD
A.1	ECN-070321-01	07/03/29	TRACY	HENRY
A.2	ECN-071116-01	07/11/19	TRACY	HENRY



POSITION	A±0.20	B±0.20	C±0.38	D	E	F
15 PIN	16.90	25.00	30.80	2.29	0.25	0.89
26 PIN	25.25	33.30	39.20	2.29	0.51	0.64
44 PIN	38.95	47.05	53.05	2.29	0.51	0.64
62 PIN	55.40	63.50	69.40	2.41	0.58	0.62

MATERIAL:

INSULATOR : PBT, UL 94V-0.
 CONTACT : COPPER ALLOY.
 CONTACT FINISH : GOLD OVER NICKEL.
 SHELL : STEEL.
 BOARDLOCK : BRASS, TIN PLATED.
 RIVETED INSERT : BRASS, NICKEL PLATED.

SPECIFICATION:

CURRENT RATING : 2 AMP
 DIELECTRIC WITHSTANDING VOLTAGE : 1000V AC FOR 1 MINUTE.
 INSULATION RESISTANCE : 1000MΩ MIN. AT 500V DC.
 CONTACT RESISTANCE : 15mΩ MAX.
 OPERATING TEMPERATURE : -55°C ~ +105°C.

ORDER INFORMATION :

DH92 - 15 1 A 1 B 1 0 0 - R
 1 2 3 4 5 6 7 8 9 10

- | | |
|------------------------------|---------------------------------|
| 1. SERIES: | 7. SHELL PLATING: |
| 2. POSITION: | 1=NICKEL |
| 15 26 44 62 78 A4(A4=104PIN) | 8. GROUNDING OPTION: |
| 3. CONTACT TYPE/MATERIAL: | 0=RIVET W/BOARDLOCK |
| 0=FEMALE/COPPER ALLOY | 1=BOARDLOCK |
| 1=MALE/COPPER ALLOY | 2=RIVET W/4 PRONG BOARDLOCK |
| 4. CONTACT PLATING: | 3=RIVET W/NON-THREAD L-SHAPE |
| 1=SELECTIVE GOLD FLASH | 5=RIVET ONLY |
| 4=SELECTIVE 15u" GOLD | 9. MATING OPTION: |
| 6=SELECTIVE 30u" GOLD | 0=4#40 THREAD RIVET |
| A=FULL GOLD FLASH | 1=FIXED HEX-SCREWS 4.8X11.8mm |
| 5. INSULATOR COLOR: | 2=M2.6 THREAD RIVET |
| 1=BLACK | 3=M3.0 THREAD RIVET |
| 7=BLUE | 4=4#40 THREAD 5.8mm HEX RIVET |
| 9=FOR PC99 COLOR | 5=NON THREAD RIVET |
| (15PIN=BLUE) | 6=FIXED HEX-SCREWS 5.8X12.8mm |
| 6. INSULATOR MATERIAL: | 7=LOOSE HEX-SCREWS |
| B=PBT | 8=4#40 THREAD 5.8mm ROUND RIVET |
| C=NYLON | 10. GREEN PRODUCT: |
| | R=RoHS COMPLIANT |

WEKANG CO., LTD.
<http://www.wekang.com>

SIZE A4 UNIT mm SCALE. 2 : 1 SHEET. 1 OF 1

GENERAL TOLERANCE
 X.X ±0.25
 X.XX ±0.15
 X.XXX ±0.05
 ANGLE TOLERANCE ±1°
 RADIUS ±0.25
 HOLE ±0.13

DRAWN. Peter	DATE 05 - 10 - 2005	DRAWING NO. C-DH0004	CUSTOMER DRAWING
CHECKED. HENRY	DATE 05 - 13 - 2005	TITLE. HIGH DENSITY D-SUB CONN. RIGHT ANGLE MALE FOOTPRINT : 8.89mm	
APPROVED. HENRY	DATE 05 - 13 - 2005	PART NO. DH92-XX1XXXX00-R	REV A.2

REV.	ECN.	DATE	DWN	APVD
A.1	ECN-070321-01	07/03/29	TRACY	HENRY
A.2	ECN-071116-01	07/11/19	TRACY	HENRY

MATERIAL:

INSULATOR : PBT, UL 94V-0.
 CONTACT : COPPER ALLOY.
 CONTACT FINISH : GOLD OVER NICKEL.
 SHELL : STEEL.
 BOARDLOCK : BRASS, TIN PLATED.
 RIVETED INSERT : BRASS, NICKEL PLATED.

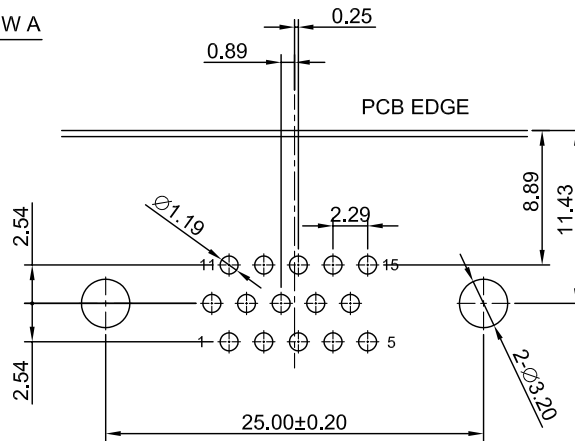
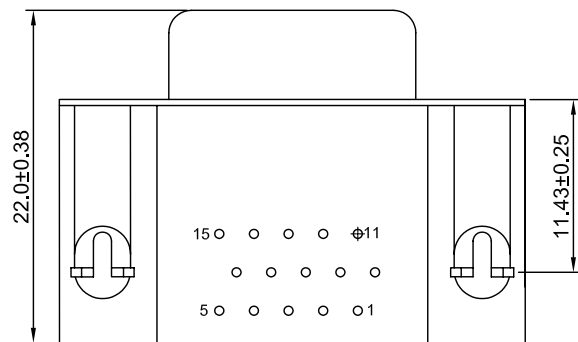
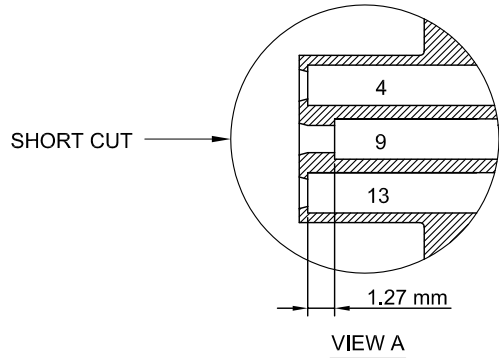
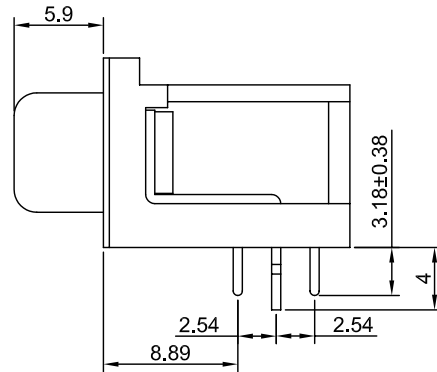
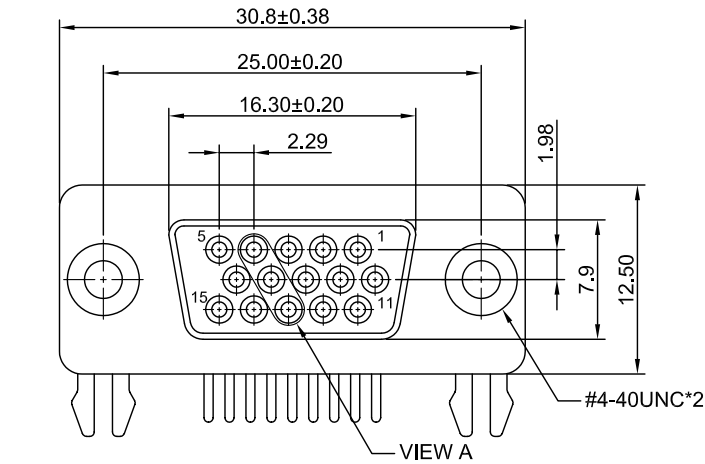
SPECIFICATION:

CURRENT RATING : 2 AMP
 DIELECTRIC WITHSTANDING VOLTAGE : 1000V AC FOR 1 MINUTE.
 INSULATION RESISTANCE : 1000MΩ MIN. AT 500V DC.
 CONTACT RESISTANCE : 15mΩ MAX.
 OPERATING TEMPERATURE : -55°C ~ +105°C.

ORDER INFORMATION :

DH92 - 15 8 1 9 B 1 0 0 - R
 1 2 3 4 5 6 7 8 9 10

- | | |
|-------------------------------|---------------------------------|
| 1. SERIES: | 7. SHELL PLATING: |
| 2. POSITION: | 1=NICKEL |
| 15=15PIN | 8. GROUNDING OPTION: |
| 3. CONTACT TYPE/MATERIAL: | 0=RIVET W/BOARDLOCK |
| 8=FEMALE PIN#9 RECESSED1.27mm | 1=BOARDLOCK |
| /COPPER ALLOY | 2=RIVET W/4 PRONG BOARDLOCK |
| 4. CONTACT PLATING: | 5=RIVET ONLY |
| 1=SELECTIVE GOLD FLASH | 9. MATING OPTION: |
| 4=SELECTIVE 15u" GOLD | 0=4#40 THREAD RIVET |
| 6=SELECTIVE 30u" GOLD | 1=FIXED HEX-SCREWS 4.8X11.8mm |
| A=FULL GOLD FLASH | 2=M2.6 THREAD RIVET |
| 5. INSULATOR COLOR: | 3=M3.0 THREAD RIVET |
| 1=BLACK | 4=4#40 THREAD 5.8mm HEX RIVET |
| 9=FOR PC99 COLOR | 5=NON THREAD RIVET |
| (15PIN=BLUE) | 6=FIXED HEX-SCREWS 5.8X12.8mm |
| 6. INSULATOR MATERIAL: | 7=LOOSE HEX-SCREWS |
| B=PBT | 8=4#40 THREAD 5.8mm ROUND RIVET |
| C=NYLON | 10. GREEN PRODUCT: |
| | R=RoHS COMPLIANT |



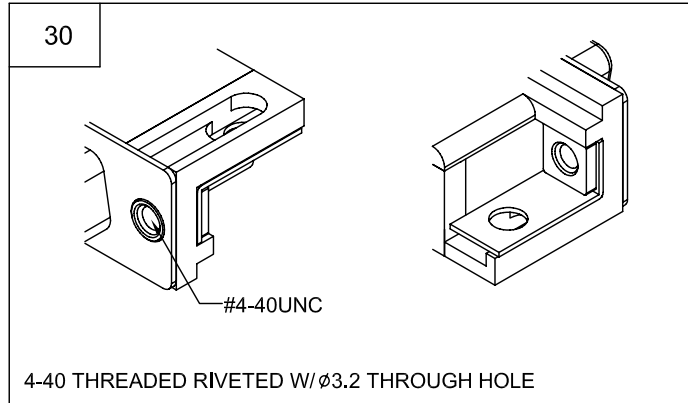
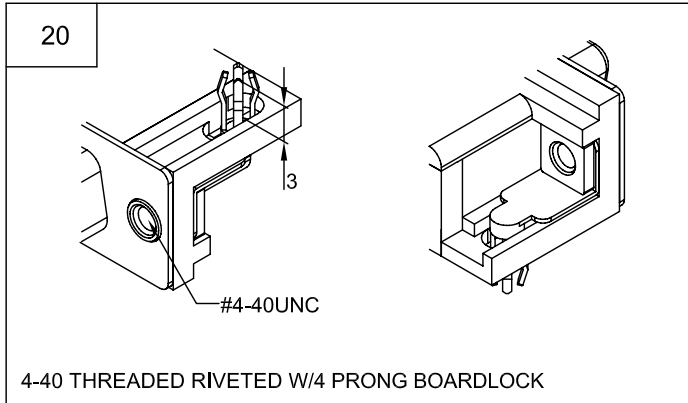
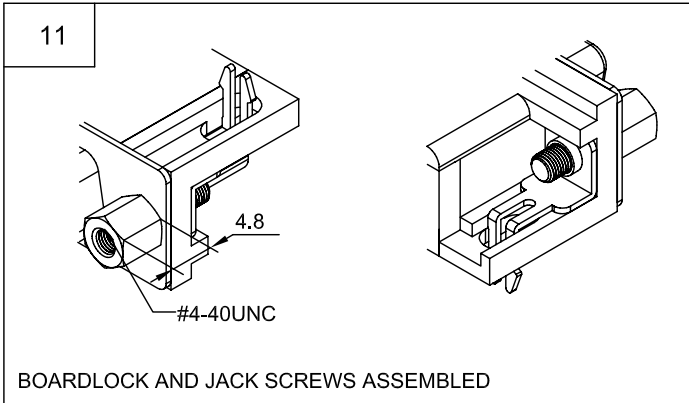
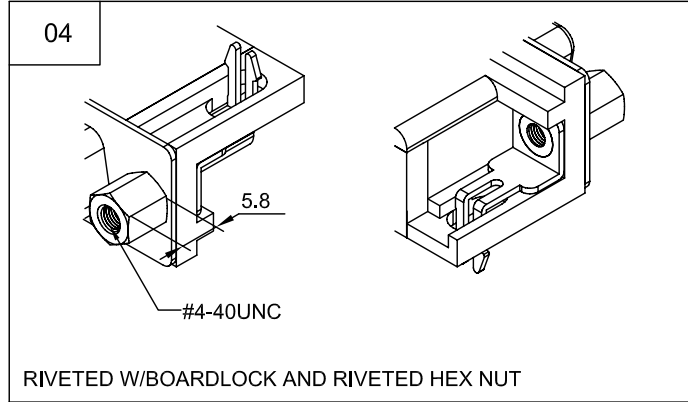
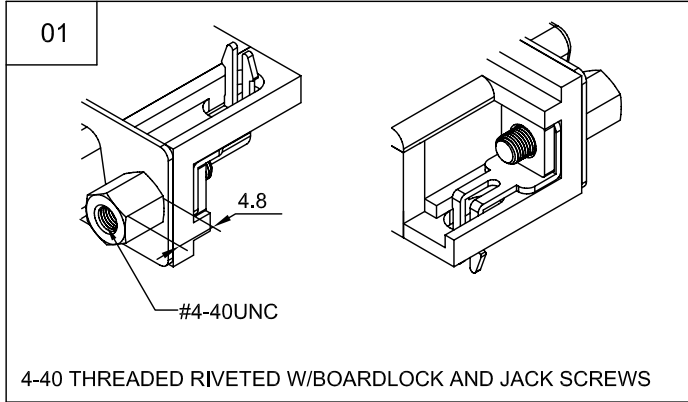
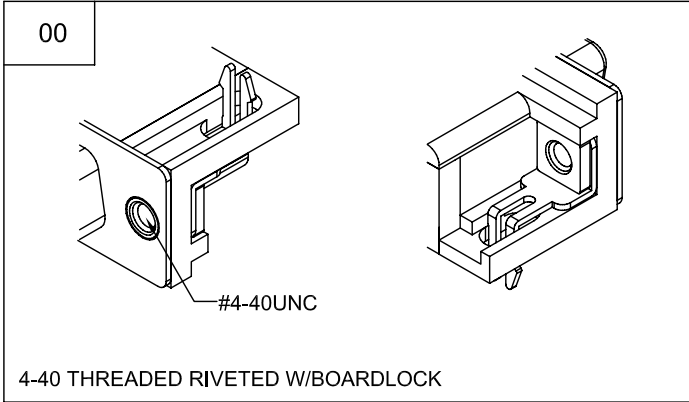
WEKANG CO., LTD.
<http://www.wekang.com>

GENERAL TOLERANCE
 X.X ± 0.25
 X.XX ± 0.15
 X.XXX ± 0.05
 ANGLE TOLERANCE ± 1°
 RADIUS ± 0.25
 HOLE ± 0.13

DRAWN.	Peter	DATE	05 - 10 - 2005	DRAWING NO.	C-DH0005	CUSTOMER DRAWING
CHECKED.	HENRY	DATE	05 - 12 - 2005	TITLE.	HIGH DENSITY D-SUB CONN. RIGHT ANGLE 15PIN FEMALE FOOTPRINT : 8.89mm	
APPROVED.	HENRY	DATE	05 - 12 - 2005	PART NO.	DH92-158XXX00-R	REV A.2

SIZE A4	UNIT mm	SCALE. 2 : 1	SHEET. 1 OF 1	
------------	------------	-----------------	------------------	--

REV.	ECN.	DATE	DWN	APVD
A.1	ECN-070321-01	07/03/28	TRACY	HENRY
A.2	ECN-071116-01	07/11/19	TRACY	HENRY




WEKANG CO., LTD.
<http://www.wekang.com>

SIZE A4	UNIT mm	SCALE. FREE	SHEET. 1 OF 1
------------	------------	----------------	------------------



GENERAL TOLERANCE
X.X ± 0.25
X.XX ± 0.15
X.XXX ± 0.05
ANGLE TOLERANCE ± 1°
RADIUS ± 0.25
HOLE ± 0.13

DRAWN.	Peter	DATE	05 - 10 - 2005
CHECKED.	HENRY	DATE	05 - 16 - 2005
APPROVED.	HENRY	DATE	05 - 16 - 2005

DRAWING NO.	C-DH0002
TITLE.	HIGH DENSITY D-SUB CONN. RIGHT ANGLE FOOTPRINT : 8.89mm
PART NO.	DH92-MOUNT

CUSTOMER DRAWING	
REV	A.2