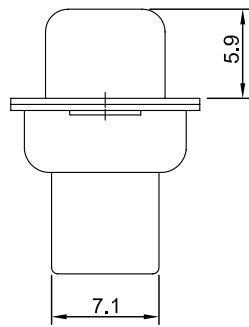
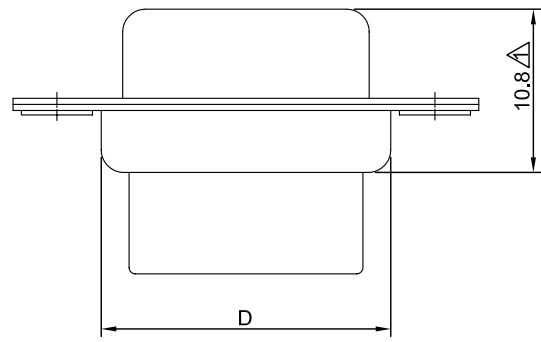
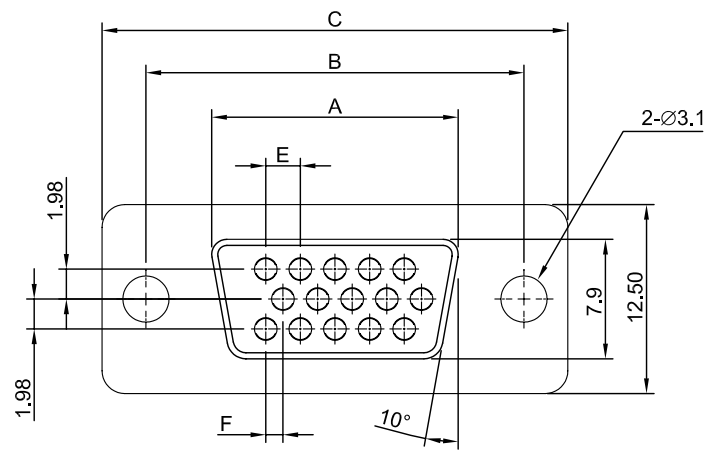


REV.	ECN.	DATE	DWN	APVD
A.1	ECN-080117-01	02/20/08	TRACY	HENRY



MATERIAL:

FRONT INSULATOR : PBT, UL 94V-0.
 BACK INSULATOR : NYLON, UL 94V-0.
 SHELL : STEEL, NICKEL OR TIN PLATED.

SPECIFICATION:


INSULATION RESISTANCE : 1000MΩ MIN. AT 500V DC.
 OPERATING TEMPERATURE : -55°C ~ +105°C.

ORDER INFORMATION :

DH71 - 15 0 0 1 B 2 0 0 0 - R
 1 2 3 4 5 6 7 8 9 10

- | | |
|------------------------------|------------------------|
| 1. SERIES: | 7. PROCESS OPTION: |
| 2. POSITION: | 0=THRU. HOLE |
| 15 26 44 62 | 1=4.0mm OPEN HEX RIVET |
| 3. CONTACT TYPE: | 2=5.8mm OPEN HEX RIVET |
| 0=FEMALE | 8. PARTS OPTION: |
| 1=MALE | 0=NON ACCESSORIES |
| 4. INSULATOR COLOR: | 1=REAR RIVET+FIXED |
| 1=BLACK | SCREWS 4.8X10.1mm |
| 5. FRONT INSULATOR MATERIAL: | 4=REAR RIVET 4#40 |
| B=PBT | 7=FRONT RIVET 4#40 |
| 6. SHELL PLATING: | 9. INNER PACKING: |
| 2=TIN | 0=IN TRAY |
| 3=ZINC | 3=IN PLASTIC BAG |
| 5=NICKEL(FRONT SHELL), | 10. GREEN PRODUCT: |
| TIN(BACK SHELL) | R=RoHS COMPLIANT |

POSITION	A ± 0.20	B ± 0.20	C ± 0.38	D ± 0.20	E	F
15 PIN	16.30	25.00	30.80	19.15	2.29	1.14
26PIN	24.60	33.30	39.20	27.60	2.29	1.14
44PIN	38.35	47.05	53.05	41.10	2.29	1.14
62PIN	54.80	63.50	69.40	57.40	2.41	1.20

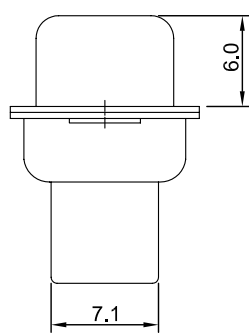
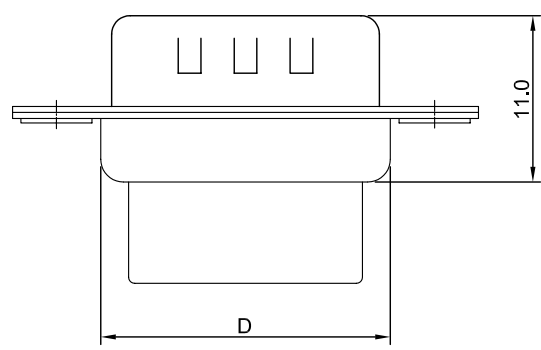
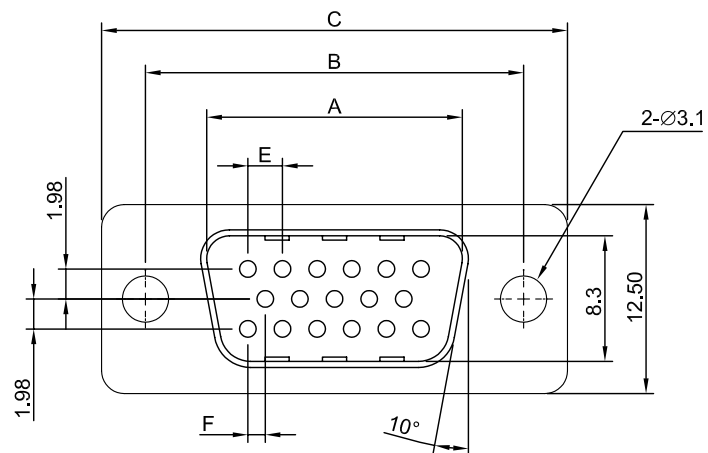
 **WEKANG CO., LTD.**
<http://www.wekang.com>

SIZE A4 UNIT mm SCALE. 2:1 SHEET. 1 OF 1

GENERAL TOLERANCE
 X.X ± 0.25
 X.XX ± 0.15
 X.XXX ± 0.05
 ANGLE TOLERANCE ± 1°
 RADIUS ± 0.25
 HOLE ± 0.13

DRAWN. JEAN	DATE 11 - 18 - 2005	DRAWING NO. C-DH0043	CUSTOMER DRAWING	
CHECKED. HENRY	DATE 11 - 19 - 2005	TITLE. HIGH DENSITY D-SUB CRIMP TYPE FEMALE		
APPROVED. HENRY	DATE 11 - 19 - 2005	PART NO. DH71-XX00XXX00X-R	REV	A.1

REV.	ECN.	DATE	DWN	APVD
A.1	ECN-080117-01	02/20/08	TRACY	HENRY



MATERIAL:

FRONT INSULATOR : PBT, UL 94V-0.
 BACK INSULATOR : NYLON, UL 94V-0.
 SHELL : STEEL, NICKEL OR TIN PLATED.

SPECIFICATION:


INSULATION RESISTANCE : 1000MΩ MIN. AT 500V DC.
 OPERATING TEMPERATURE : -55°C ~ +105°C.

ORDER INFORMATION :

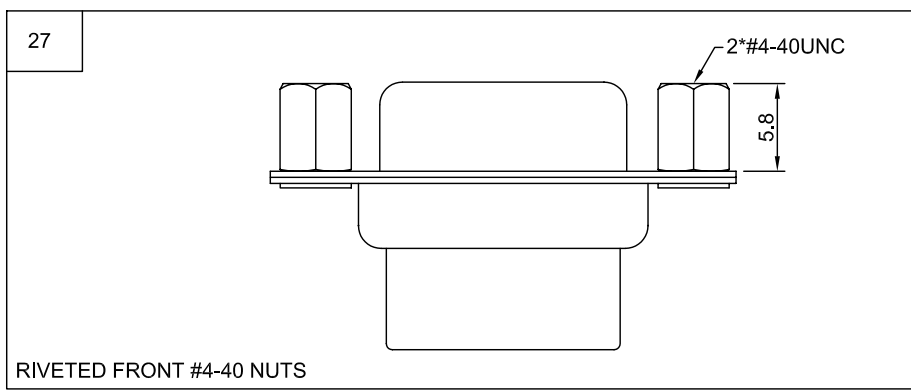
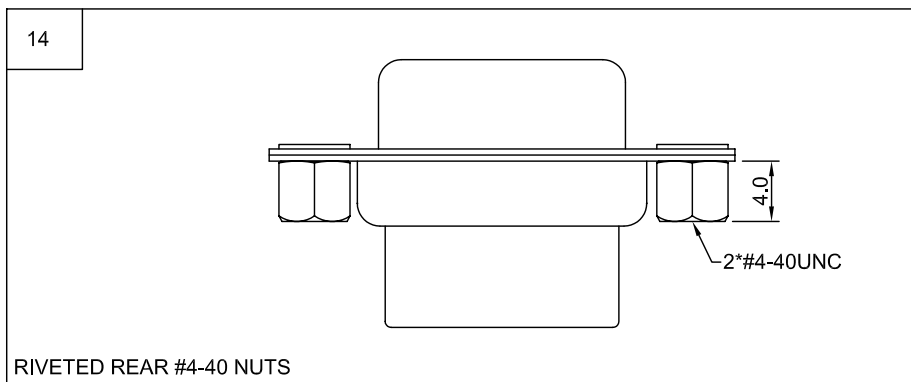
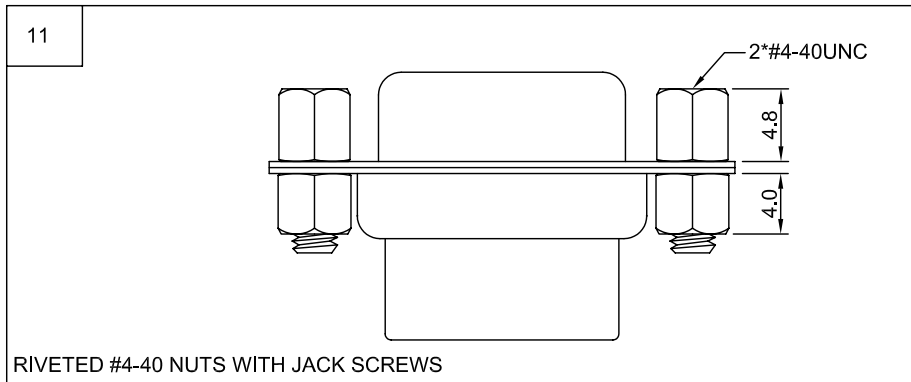
DH71 - $\frac{1}{1}$ $\frac{5}{2}$ $\frac{1}{3}$ $\frac{0}{4}$ $\frac{1}{5}$ $\frac{B}{6}$ $\frac{1}{7}$ $\frac{0}{8}$ $\frac{0}{9}$ $\frac{0}{10}$ - R

- | | |
|------------------------------|------------------------|
| 1. SERIES: | 7. PROCESS OPTION: |
| 2. POSITION: | 0=THRU. HOLE |
| 15 26 44 62 | 1=4.0mm OPEN HEX RIVET |
| 3. CONTACT TYPE: | 2=5.8mm OPEN HEX RIVET |
| 0=FEMALE | 8. PARTS OPTION: |
| 1=MALE | 0=NON ACCESSORIES |
| 4. INSULATOR COLOR: | 1=REAR RIVET+FIXED |
| 1=BLACK | SCREWS 4.8X10.1mm |
| 5. FRONT INSULATOR MATERIAL: | 4=REAR RIVET 4#40 |
| B=PBT | 7=FRONT RIVET 4#40 |
| 6. SHELL PLATING: | 9. INNER PACKING: |
| 2=TIN | 0=IN TRAY |
| 3=ZINC | 3=IN PLASTIC BAG |
| 5=NICKEL(FRONT SHELL), | 10. GREEN PRODUCT: |
| TIN(BACK SHELL) | R=RoHS COMPLIANT |

POSITION	A ± 0.20	B ± 0.20	C ± 0.38	D ± 0.20	E	F
15 PIN	16.90	25.00	30.80	19.15	2.29	1.14
26PIN	25.25	33.30	39.20	27.60	2.29	1.14
44PIN	38.95	47.05	53.05	41.10	2.29	1.14
62PIN	55.40	63.50	69.40	57.40	2.41	1.20

 WEKANG CO., LTD. http://www.wekang.com	GENERAL TOLERANCE X.X ± 0.25 X.XX ± 0.15 X.XXX ± 0.05 ANGLE TOLERANCE ± 1° RADIUS ± 0.25 HOLE ± 0.13		DRAWN. JEAN CHECKED. HENRY APPROVED. HENRY	DATE 11 - 18 - 2005 DATE 11 - 19 - 2005 DATE 11 - 19 - 2005	DRAWING NO. C-DH0044 TITLE. HIGH DENSITY D-SUB CRIMP TYPE MALE PART NO. DH71-XX10XXX00X-R	CUSTOMER DRAWING REV A.1
	SIZE A4 UNIT mm SCALE. 2 : 1 SHEET. 1 OF 1					

REV.	ECN.	DATE	DWN	APVD
A.1	ECN-080117-01	02/20/08	TRACY	HENRY



WEKANG CO., LTD.
<http://www.wekang.com>

SIZE A4	UNIT mm	SCALE. 2 : 1	SHEET. 1 OF 1
------------	------------	-----------------	------------------

GENERAL TOLERANCE
 X.X ± 0.25
 X.XX ± 0.15
 X.XXX ± 0.05
 ANGLE TOLERANCE ± 1°
 RADIUS ± 0.25
 HOLE ± 0.13

DRAWN. JEAN
 CHECKED. HENRY
 APPROVED. HENRY

DATE 11 - 18 - 2005
 DATE 11 - 19 - 2005
 DATE 11 - 19 - 2005

DRAWING NO. C-DH0042
 TITLE. HIGH DENSITY D-SUB CONN CRIMP
 PART NO. DH71-MOUNT
 CUSTOMER DRAWING
 REV A.1