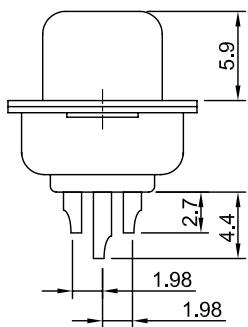
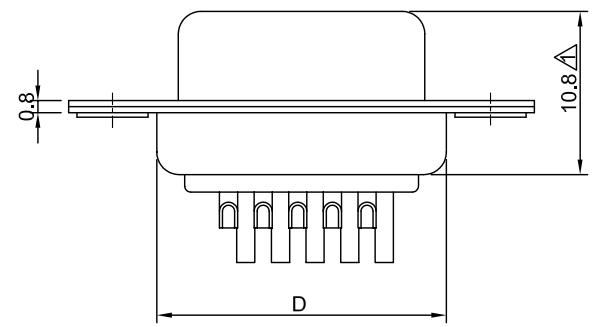
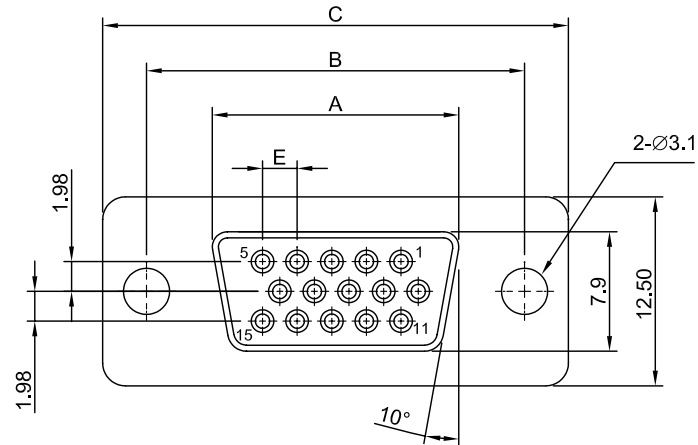


REV.	ECN.	DATE	DWN	APVD
A.1	ECN-080117-01	02/19/08	TRACY	HENRY



MATERIAL:

INSULATOR : PBT, UL 94V-0.
CONTACT : COPPER ALLOY.
CONTACT FINISH : GOLD OVER NICKEL.
SHELL : STEEL, NICKEL OR TIN PLATED.

SPECIFICATION:


CURRENT RATING : 2AMP.
DIELECTRIC WITHSTANDING VOLTAGE : 1000V AC FOR 1 MINUTE.
INSULATION RESISTANCE : 1000MΩ MIN. AT 500V DC.
CONTACT RESISTANCE : 15mΩ MAX.
OPERATING TEMPERATURE : -55°C ~ +105°C.

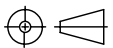
ORDER INFORMATION :

DH51 - 15 0 1 1 B 2 0 0 0 - R
1 2 3 4 5 6 7 8 9 10 11

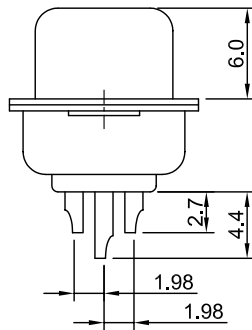
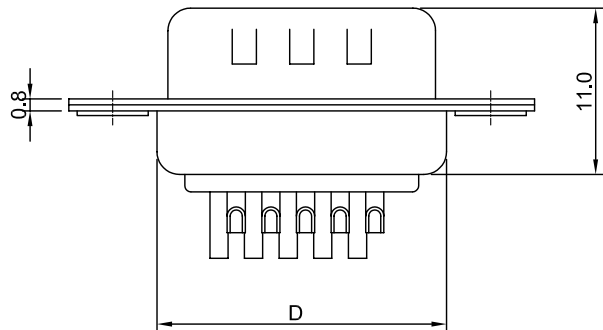
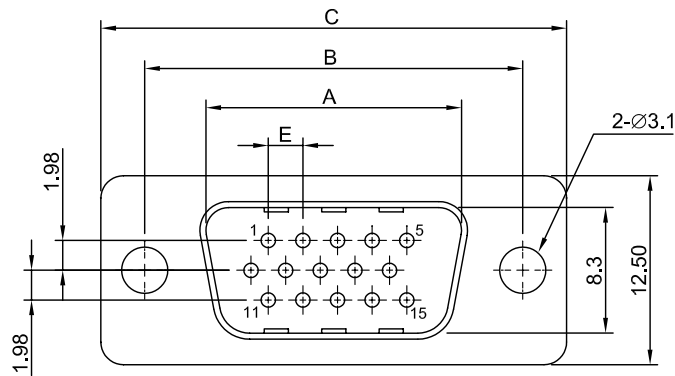
- | | |
|---|---|
| 1. SERIES: | 7. SHELL PLATING: |
| 2. POSITION:
15 26 44 62 | 2=TIN
3=ZINC
5=NICKEL(FRONT SHELL),
TIN(BACK SHELL) |
| 3. CONTACT TYPE/MATERIAL:
0=FEMALE/COPPER ALLOY
1=MALE/COPPER ALLOY | 8. PROCESS OPTION:
0=THRU. HOLE
1=4.0mm OPEN HEX RIVET
2=5.8mm OPEN HEX RIVET
3=5.8mm CLOSE HEX RIVET
5=2.0mm OPEN HEX RIVET |
| 4. CONTACT PLATING:
1=SELECTIVE GOLD FLASH
4=SELECTIVE 15u" GOLD
6=SELECTIVE 30u" GOLD | 9. PARTS OPTION:
0=NON ACCESSORIES
1=REAR RIVET+FIXED
SCREWS 4.8X10.1mm
4=REAR RIVET 4#40
7=FRONT RIVET 4#40 |
| 5. INSULATOR COLOR:
0=WHITE
1=BLACK
7=BLUE
9=FOR PC99 COLOR
(9PIN=GREEN,15PIN=YELLOW,
25PIN=PURPLE) | 10. INNER PACKING:
0=IN TRAY
3=IN PLASTIC BAG |
| 6. INSULATOR MATERIAL:
B=PBT | 11. GREEN PRODUCT:
R=RoHS COMPLIANT |

POSITION	A ± 0.20	B ± 0.20	C ± 0.38	D ± 0.20	E
15 PIN	16.30	25.00	30.80	19.15	2.29
26PIN	24.60	33.30	39.20	27.60	2.29
44PIN	38.35	47.05	53.05	41.10	2.29
62PIN	54.80	63.50	69.40	57.40	2.41

 WEKANG CO., LTD. http://www.wekang.com	GENERAL TOLERANCE X.X ± 0.25 X.XX ± 0.15 X.XXX ± 0.05 ANGLE TOLERANCE ± 1° RADIUS ± 0.25 HOLE ± 0.13		DRAWN. JEAN DATE 11 - 18 - 2005	DRAWING NO. C-DH0040 CUSTOMER DRAWING
	CHECKED. HENRY DATE 11 - 24 - 2005	DATE 11 - 24 - 2005	TITLE. HIGH DENSITY D-SUB SOLDER TYPE STAMPED CONTACTS FEMALE	
	APPROVED. HENRY DATE 11 - 24 - 2005	DATE 11 - 24 - 2005	PART NO. DH51-XX0XXX00X-R REV A.1	

SIZE A4	UNIT mm	SCALE. 2 : 1	SHEET. 1 OF 1	
---------	---------	--------------	---------------	---

REV.	ECN.	DATE	DWN	APVD
A.1	ECN-080117-01	02/20/08	TRACY	HENRY



POSITION	A ± 0.20	B ± 0.20	C ± 0.38	D ± 0.20	E
15 PIN	16.90	25.00	30.80	19.15	2.29
26PIN	25.25	33.30	39.20	27.60	2.29
44PIN	38.95	47.05	53.05	41.10	2.29
62PIN	55.40	63.50	69.40	57.40	2.41

MATERIAL:

INSULATOR : PBT, UL 94V-0.
 CONTACT : COPPER ALLOY.
 CONTACT FINISH : GOLD OVER NICKEL.
 SHELL : STEEL, NICKEL OR TIN PLATED.

SPECIFICATION:

CURRENT RATING : 2AMP.
 DIELECTRIC WITHSTANDING VOLTAGE : 1000V AC FOR 1 MINUTE.
 INSULATION RESISTANCE : 1000MΩ MIN. AT 500V DC.
 CONTACT RESISTANCE : 15mΩ MAX.
 OPERATING TEMPERATURE : -55°C ~ +105°C.

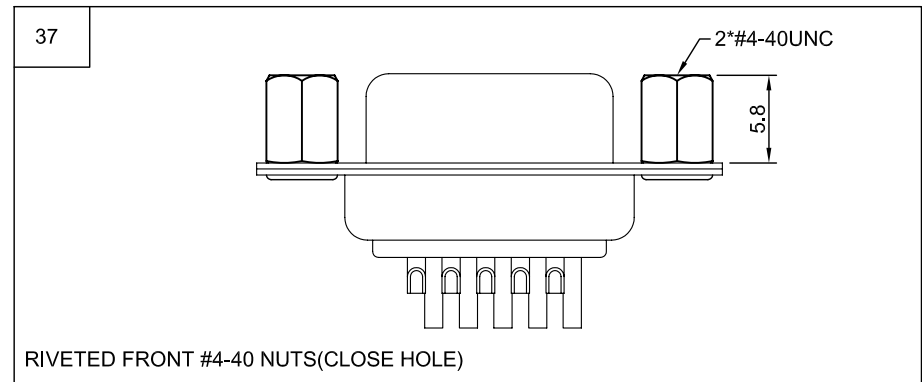
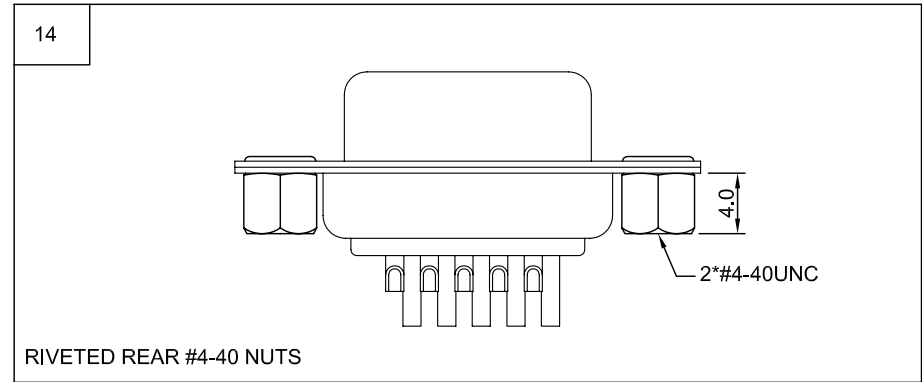
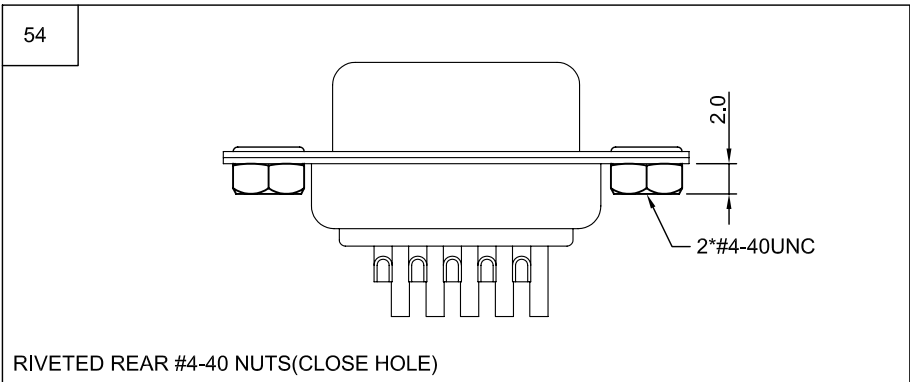
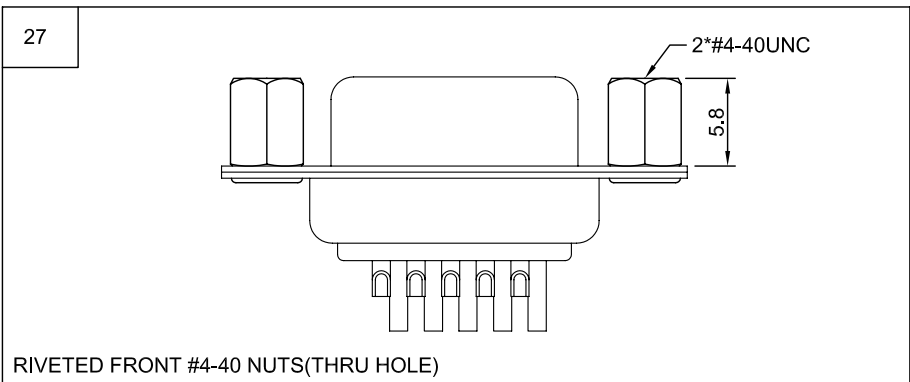
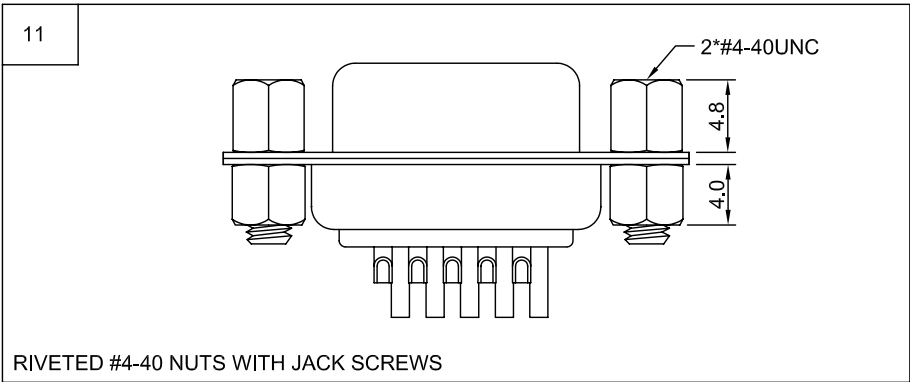
ORDER INFORMATION :

DH51 - 15 1 1 1 1 B 2 0 0 0 - R
 1 2 3 4 5 6 7 8 9 10 11

- 1. SERIES:
- 2. POSITION:
15 26 44 62
- 3. CONTACT TYPE/MATERIAL:
0=FEMALE/COPPER ALLOY
1=MALE/COPPER ALLOY
- 4. CONTACT PLATING:
1=SELECTIVE GOLD FLASH
4=SELECTIVE 15u" GOLD
6=SELECTIVE 30u" GOLD
- 5. INSULATOR COLOR:
0=WHITE
1=BLACK
7=BLUE
9=FOR PC99 COLOR
(9PIN=GREEN,15PIN=YELLOW,
25PIN=PURPLE)
- 6. INSULATOR MATERIAL:
B=PBT
- 7. SHELL PLATING:
2=TIN
3=ZINC
5=NICKEL(FRONT SHELL),
TIN(BACK SHELL)
- 8. PROCESS OPTION:
0=THRU. HOLE
1=4.0mm OPEN HEX RIVET
2=5.8mm OPEN HEX RIVET
3=5.8mm CLOSE HEX RIVET
5=2.0mm OPEN HEX RIVET
- 9. PARTS OPTION:
0=NON ACCESSORIES
1=REAR RIVET+FIXED
SCREWS 4.8X10.1mm
4=REAR RIVET 4#40
7=FRONT RIVET 4#40
- 10. INNER PACKING:
0=IN TRAY
3=IN PLASTIC BAG
- 11. GREEN PRODUCT:
R=RoHS COMPLIANT

<p>WEKANG CO., LTD. http://www.wekang.com</p>	GENERAL TOLERANCE X.X ± 0.25 X.XX ± 0.15 X.XXX ± 0.05 ANGLE TOLERANCE ± 1° RADIUS ± 0.25 HOLE ± 0.13		DRAWN. JEAN CHECKED. HENRY APPROVED. HENRY	DATE 11 - 18 - 2005 DATE 11 - 24 - 2005 DATE 11 - 24 - 2005	DRAWING NO. C-DH0041 TITLE. HIGH DENSITY D-SUB SOLDER TYPE STAMPED CONTACTS MALE PART NO. DH51-XX1XXX00X-R	CUSTOMER DRAWING REV A.1
	SIZE A4 UNIT mm SCALE. 2 : 1 SHEET. 1 OF 1					
						REV A.1

REV.	ECN.	DATE	DWN	APVD
A.1	ECN-080117-01	02/19/08	TRACY	HENRY



WEKANG CO., LTD.
<http://www.wekang.com>

SIZE A4 UNIT mm SCALE. 2 : 1 SHEET. 1 OF 1

GENERAL TOLERANCE
 X.X ± 0.25
 X.XX ± 0.15
 X.XXX ± 0.05
 ANGLE TOLERANCE ± 1°
 RADIUS ± 0.25
 HOLE ± 0.13

DRAWN. JEAN
 CHECKED. HENRY
 APPROVED. HENRY

DATE 11 - 18 - 2005
 DATE 11 - 19 - 2005
 DATE 11 - 19 - 2005

DRAWING NO. C-DH0039 CUSTOMER DRAWING
 TITLE. HIGH DENSITY D-SUB CONN SOLDER
 PART NO. DH51-MOUNT REV A.1