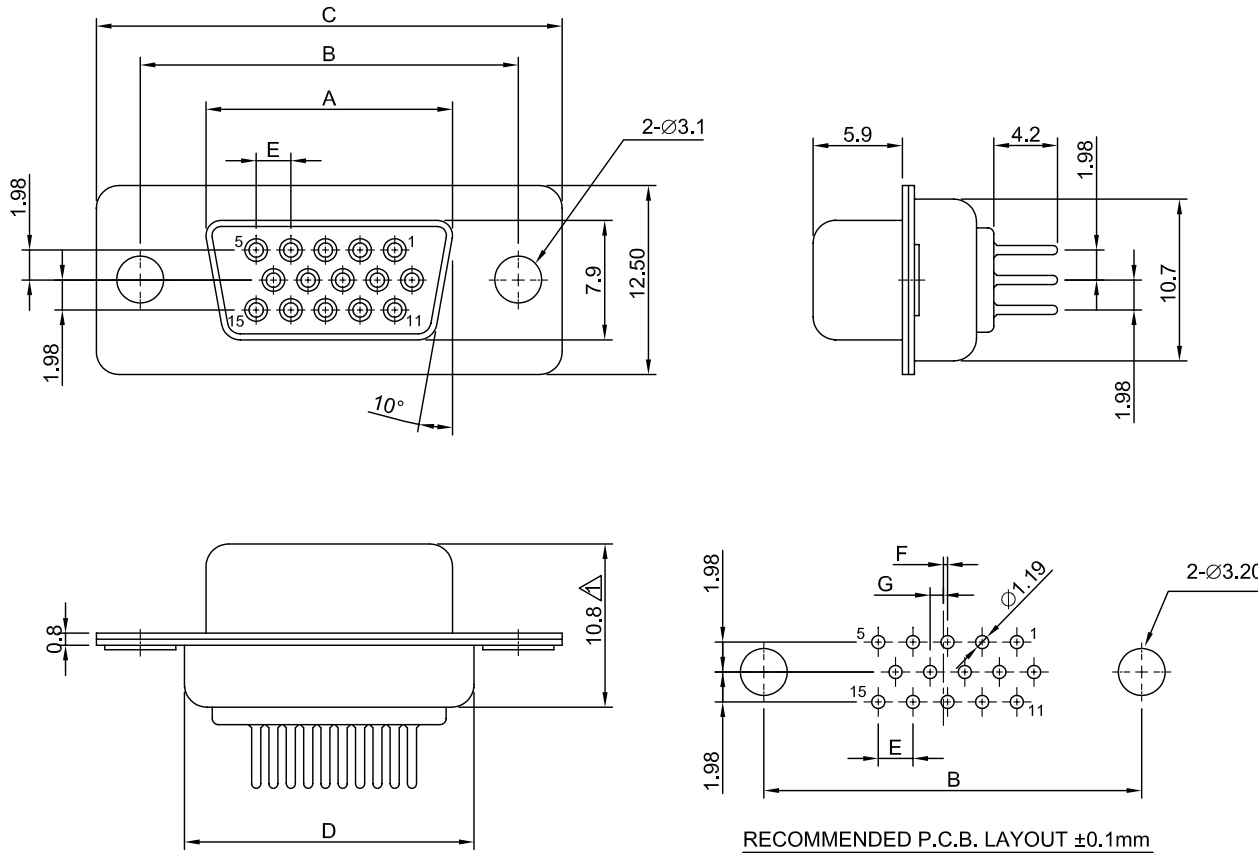


REV.	ECN.	DATE	DWN	APVD
A.1	ECN-080117-01	02/19/08	TRACY	HENRY



MATERIAL:

INSULATOR : THERMOPLASTIC, UL 94V-0.
 STANDARD : PBT.
 CONTACT : COPPER ALLOY.
 CONTACT FINISH : GOLD OVER NICKEL.
 SHELL : STEEL, NICKEL OR TIN PLATED.

SPECIFICATION:

CURRENT RATING : 2AMP.
 DIELECTRIC WITHSTANDING VOLTAGE : 1000V AC FOR 1 MINUTE.
 INSULATION RESISTANCE : 1000MΩ MIN. AT 500V DC.
 CONTACT RESISTANCE : 15mΩ MAX.
 OPERATING TEMPERATURE : -55°C ~ +105°C.

ORDER INFORMATION :

D H 1 1 - 1 5 0 1 1 B 2 0 0 - R
 1 2 3 4 5 6 7 8 9 10

- | | |
|---|--|
| 1. SERIES: | 7. SHELL PLATING: |
| 2. POSITION:
15 26 44 62 | 1=NICKEL
2=TIN
3=ZINC |
| 3. CONTACT TYPE/MATERIAL:
0=FEMALE/COPPER ALLOY
1=MALE/COPPER ALLOY | 8. PROCESS OPTION:
0=THRU. HOLE
1=4.0mm OPEN HEX RIVET
2=5.8mm OPEN HEX RIVET
3=6.0X3.4mm OPEN HEX BOARDLOCK RIVET
5=2.0mm OPEN HEX RIVET |
| 4. CONTACT PLATING:
1=SELECTIVE GOLD FLASH
4=SELECTIVE 15u" GOLD
6=SELECTIVE 30u" GOLD
A=FULL GOLD FLASH | 9. PARTS OPTION:
0=NON ACCESSORIES
1=REAR RIVET+FIXED SCREWS 4.8X10.1mm
4=REAR RIVET 4#40
7=FRONT RIVET 4#40 |
| 5. INSULATOR COLOR:
0=WHITE
1=BLACK
7=BLUE
9=FOR PC99 COLOR
(9PIN=GREEN,15PIN=YELLOW,
25PIN=PURPLE) | 10. GREEN PRODUCT:
R=RoHS COMPLIANT |
| 6. INSULATOR MATERIAL:
B=PBT
C=NYLON | |

POSITION	A ± 0.20	B ± 0.20	C ± 0.38	D ± 0.20	E	F	G
15 PIN	16.30	25.00	30.80	19.15	2.29	0.25	0.89
26PIN	24.60	33.30	39.20	27.60	2.29	0.51	0.64
44PIN	38.35	47.05	53.05	41.10	2.29	0.51	0.64
62PIN	54.80	63.50	69.40	57.40	2.41	0.58	0.62

 **WEKANG CO., LTD.**
<http://www.wekang.com>

SIZE A4	UNIT mm	SCALE. 2 : 1	SHEET. 1 OF 1
------------	------------	-----------------	------------------

GENERAL TOLERANCE
 X.X ± 0.25
 X.XX ± 0.15
 X.XXX ± 0.05
 ANGLE TOLERANCE ± 1°
 RADIUS ± 0.25
 HOLE ± 0.13

DRAWN. JEAN	DATE 11 - 18 - 2005	DRAWING NO. C-DH0037	CUSTOMER DRAWING	
CHECKED. HENRY	DATE 11 - 19 - 2005	TITLE. HIGH DENSITY D-SUB PCB STRAIGHT TYPE STAMPED CONTACTS FEMALE		
APPROVED. HENRY	DATE 11 - 19 - 2005	PART NO. DH11-XX0XXX00-R	REV	A.1

REV.	ECN.	DATE	DWN	APVD
A.1	ECN-080117-01	02/19/08	TRACY	HENRY

MATERIAL:

INSULATOR : THERMOPLASTIC, UL 94V-0.
 STANDARD : PBT.
 CONTACT : COPPER ALLOY.
 CONTACT FINISH : GOLD OVER NICKEL.
 SHELL : STEEL, NICKEL OR TIN PLATED.

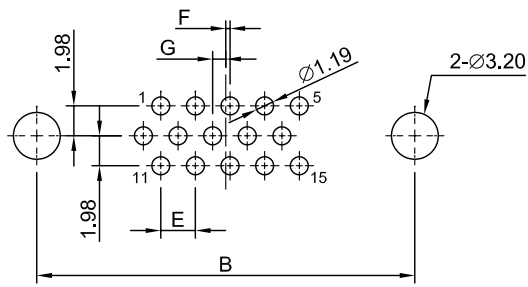
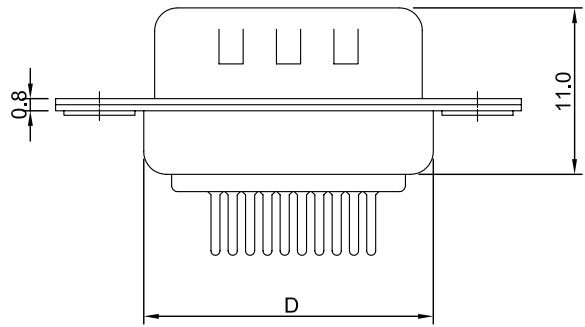
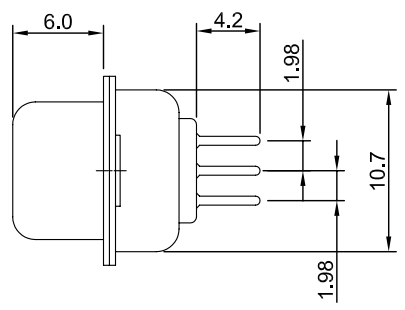
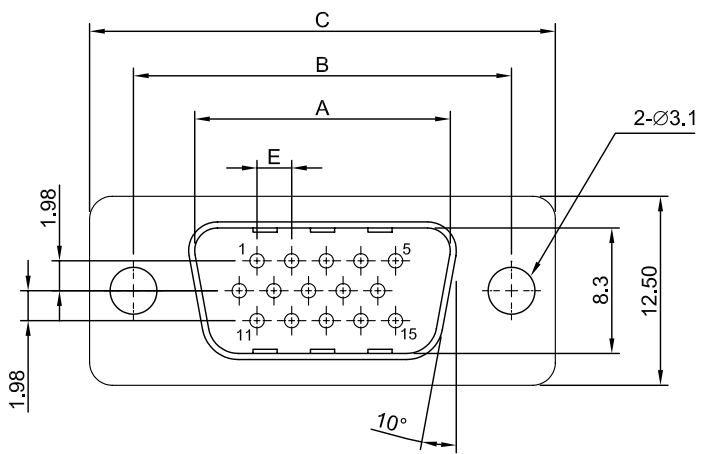
SPECIFICATION:

CURRENT RATING : 2AMP.
 DIELECTRIC WITHSTANDING VOLTAGE : 1000V AC FOR 1 MINUTE.
 INSULATION RESISTANCE : 1000MΩ MIN. AT 500V DC.
 CONTACT RESISTANCE : 15mΩ MAX.
 OPERATING TEMPERATURE : -55°C ~ +105°C.

ORDER INFORMATION :

DH11 - 15 1 1 1 B 2 0 0 - R
 1 2 3 4 5 6 7 8 9 10

- SERIES:
- POSITION:
15 26 44 62
- CONTACT TYPE/MATERIAL:
0=FEMALE/COPPER ALLOY
1=MALE/COPPER ALLOY
- CONTACT PLATING:
1=SELECTIVE GOLD FLASH
4=SELECTIVE 15u" GOLD
6=SELECTIVE 30u" GOLD
A=FULL GOLD FLASH
- INSULATOR COLOR:
0=WHITE
1=BLACK
7=BLUE
9=FOR PC99 COLOR
(9PIN=GREEN,15PIN=YELLOW,
25PIN=PURPLE)
- INSULATOR MATERIAL:
B=PBT
C=NYLON
- SHELL PLATING:
1=NICKEL
2=TIN
3=ZINC
- PROCESS OPTION:
0=THRU. HOLE
1=4.0mm OPEN HEX RIVET
2=5.8mm OPEN HEX RIVET
3=6.0X3.4mm OPEN HEX
BOARDLOCK RIVET
5=2.0mm OPEN HEX RIVET
- PARTS OPTION:
0=NON ACCESSORIES
1=REAR RIVET+FIXED
SCREWS 4.8X10.1mm
4=REAR RIVET 4#40
7=FRONT RIVET 4#40
- GREEN PRODUCT:
R=RoHS COMPLIANT



RECOMMENDED P.C.B. LAYOUT ±0.1mm

POSITION	A ± 0.20	B ± 0.20	C ± 0.38	D ± 0.20	E	F	G
15 PIN	16.90	25.00	30.80	19.15	2.29	0.25	0.89
26PIN	25.25	33.30	39.20	27.60	2.29	0.51	0.64
44PIN	38.95	47.05	53.05	41.10	2.29	0.51	0.64
62PIN	55.40	63.50	69.40	57.40	2.41	0.58	0.62

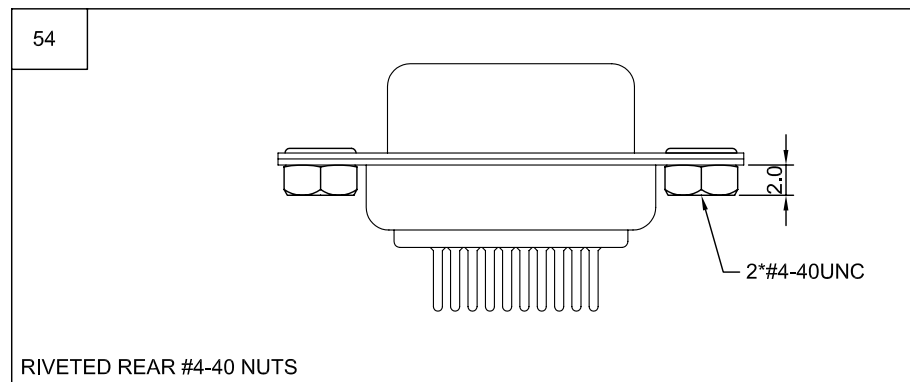
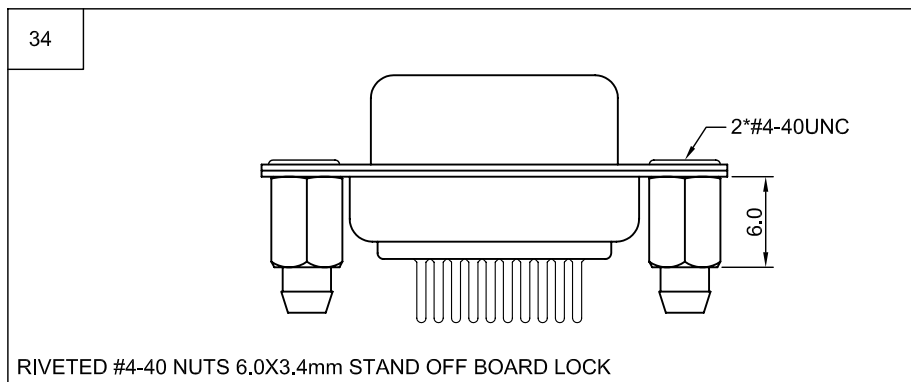
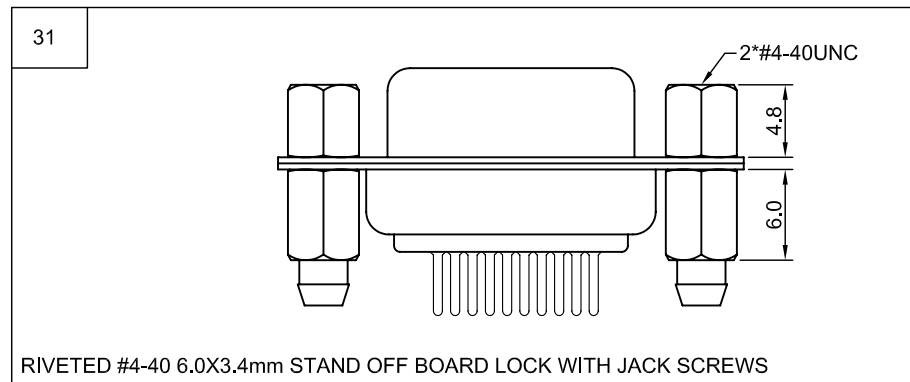
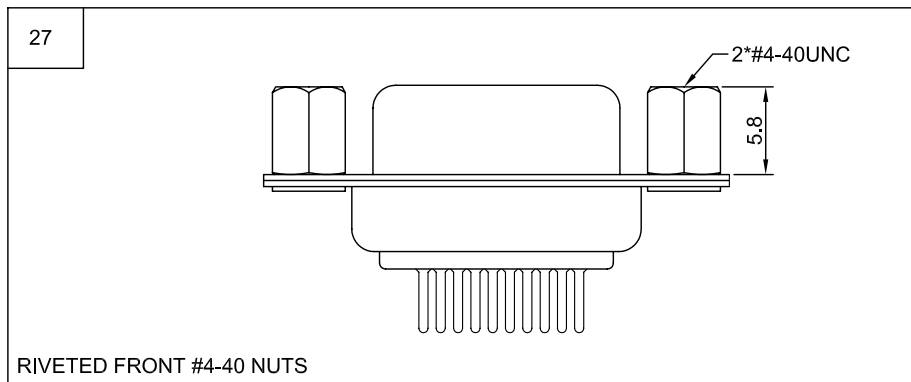
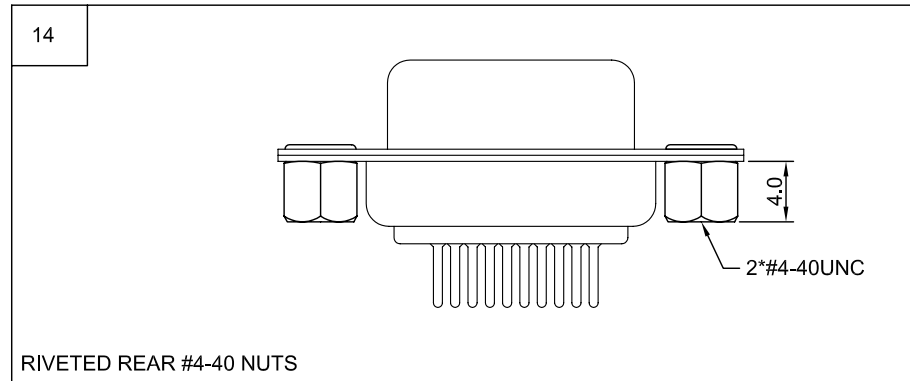
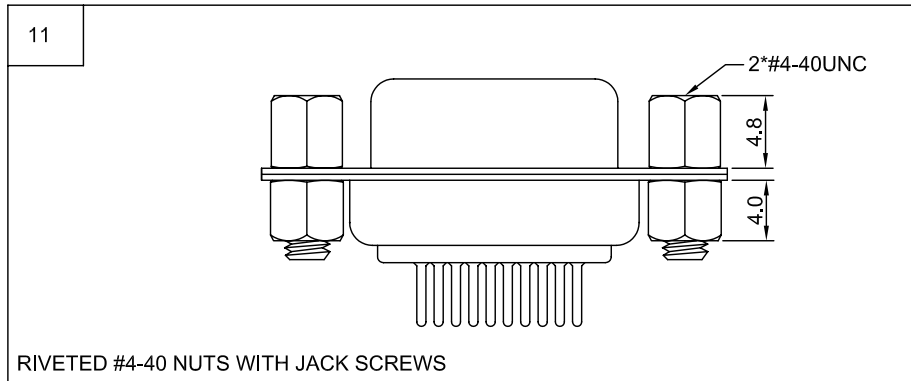
WEKANG CO., LTD.
<http://www.wekang.com>

SIZE A4 UNIT mm SCALE. 2 : 1 SHEET. 1 OF 1

GENERAL TOLERANCE
 X.X ± 0.25
 X.XX ± 0.15
 X.XXX ± 0.05
 ANGLE TOLERANCE ± 1°
 RADIUS ± 0.25
 HOLE ± 0.13

DRAWN. JEAN	DATE 11 - 18 - 2005	DRAWING NO. C-DH0038	CUSTOMER DRAWING	
CHECKED. HENRY	DATE 11 - 19 - 2005	TITLE. HIGH DENSITY D-SUB PCB STRAIGHT TYPE STAMPED CONTACTS MALE		
APPROVED. HENRY	DATE 11 - 19 - 2005	PART NO. DH11-XX1XXXX00-R	REV	A.1

REV.	ECN.	DATE	DWN	APVD
A.1	ECN-080117-01	02/19/08	TRACY	HENRY



<p>WEKANG CO., LTD. http://www.wekang.com</p>	<p>GENERAL TOLERANCE X.X ± 0.25 X.XX ± 0.15 X.XXX ± 0.05 ANGLE TOLERANCE ± 1° RADIUS ± 0.25 HOLE ± 0.13</p>		<p>DRAWN. JEAN</p>	<p>DATE 11 - 18 - 2005</p>	<p>DRAWING NO. C-DH0036</p>	<p>CUSTOMER DRAWING</p>		
	<p>SIZE A4</p>	<p>UNIT mm</p>	<p>SCALE. 2 : 1</p>	<p>SHEET. 1 OF 1</p>	<p>CHECKED. HENRY</p>	<p>DATE 11 - 19 - 2005</p>	<p>TITLE. HIGH DENSITY D-SUB CONN STRAIGHT</p>	
	<p>APPROVED. HENRY</p>		<p>DATE 11 - 19 - 2005</p>	<p>PART NO. DH11-MOUNT</p>	<p>REV</p>	<p>A.1</p>		