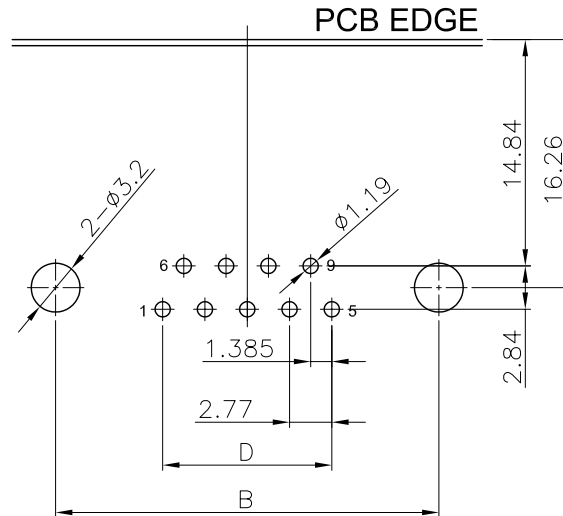
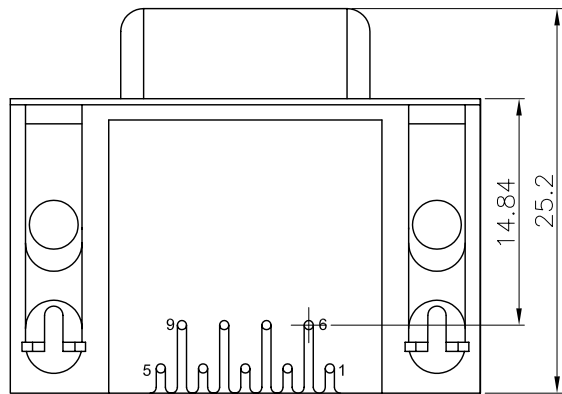
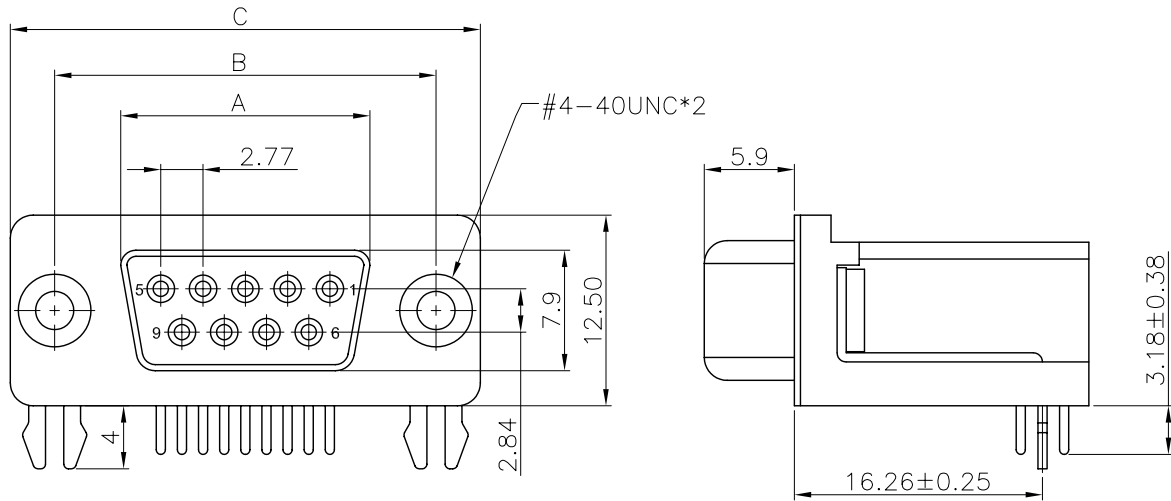


REV.	ECN.	DATE	DWN	APVD



POSITION	A ± 0.20	B ± 0.20	C ± 0.38	D
09 Pin	16.30	25.00	30.80	11.08
15 Pin	24.60	33.30	39.20	19.39
25 Pin	38.35	47.05	53.05	33.24
37 Pin	54.80	63.50	69.40	49.86

MATERIAL:

INSULATOR : PBT+30% GLASS FIBER (UL 94V-0) .
 CONTACT : COPPER ALLOY
 CONTACT FINISH : GOLD OVER NICKEL
 SHELL : STEEL ,NICKEL PLATED
 BOARDLOCK : BRASS,TIN PLATED
 RIVETED INSERT : BRASS,NICKEL PLATED

SPECIFICATION:

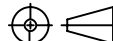
CURRENT RATING : 5 AMP
 DIELECTRIC WITHSTANDING VOLTAGE : 1000V AC FOR 1 MINUTE.
 INSULATION RESISTANCE : 100MΩ MIN. AT 500V DC.
 CONTACT RESISTANCE : 15mΩ MAX.
 OPERATING TEMPERATURE : -55°C ~ +105°C.

Order Information :

DB 9 1 - 0 9 0 A 1 B 1 0 0 - R
 1 2 3 4 5 6 7 8 9

1. SERIES NUMBER	DB91 : D-SUB RIGHT ANGLE 14.84mm MOUNT
2. POSITION	09 15 25 37
3. CONTACT TYPE	0 : FEMALE
4. CONTACT PLATING	1 : SELECTIVE GOLD 4 : SELECTIVE 15u" GOLD 6 : SELECTIVE 30u" GOLD A : FULL GOLD ©STANDARD : A
5. INSULATOR COLOR	1 : BLACK
6. INSULATOR MATERIAL	B : PBT C : NYLON
7. SHELL PLATING	1 : NICKEL
8. MATING AND MOUNTING OPTIONS	00 : 4-40 THREADED RIVETED W/BOARDLOCK ON LONG FLANGE 11 : BOARDLOCK AND JACK SCREWS ASSEMBLED ON LONG FLANGE SEE MOUNTING OPTION SHEET FOR OTHERS MOUNTING
9. GREEN PRODUCT	BLANK : NOT GREEN PRODUCT R : RoHS COMPLIANT

 維鼎股份有限公司
 WEKANG CO., LTD.
 TEL:886-2-26436301 FAX:886-2-26432714

SIZE A4 UNIT mm SCALE 2/1 SHEET 1 OF 1 

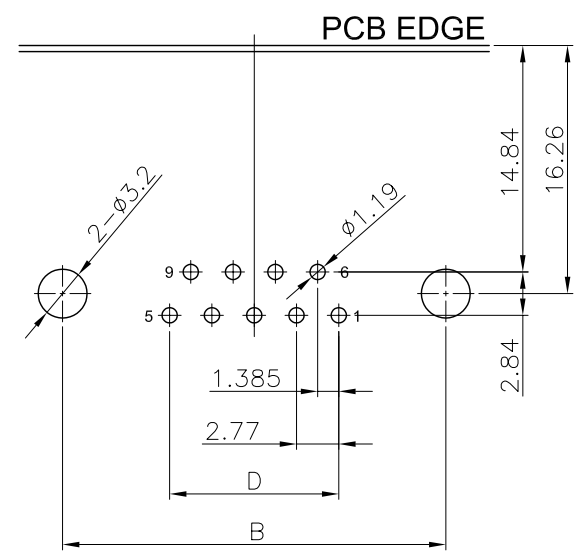
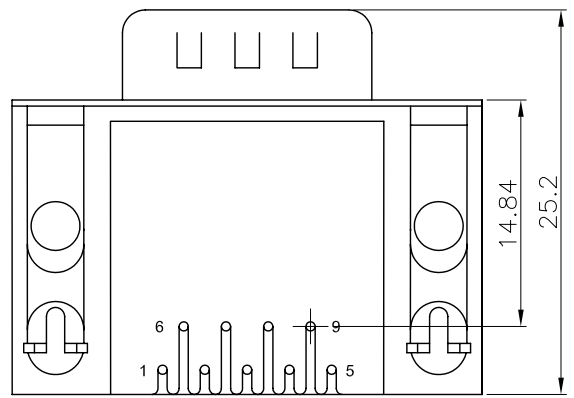
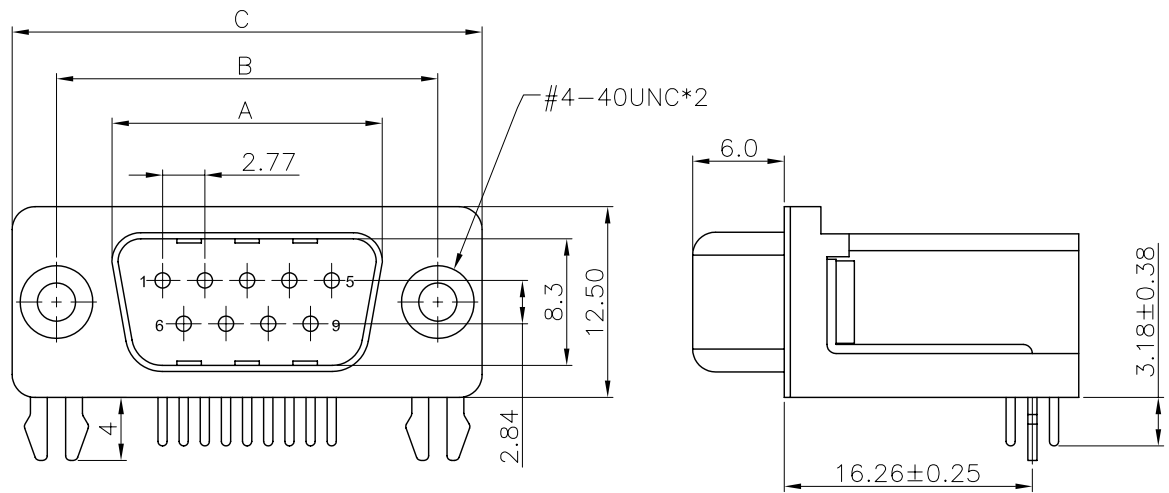
GENERAL TOLERANCE
 X.X ± 0.25
 X.XX ± 0.15
 X.XXX ± 0.05
 ANGLE TOLERANCE ± 1°
 RADIUS ± 0.25
 HOLE ± 0.13

DRAWN. Peter
 CHECKED. HENRY
 APPROVED. HENRY

DATE 04 - 11 - 2005
 DATE 04 - 11 - 2005
 DATE 04 - 11 - 2005

DRAWING NO. DB91-XX0XXX00-R W00001
 TITLE. D-SUB CONN RIGHT ANGLE , FEMALE FOOTPRINT : 14.84mm
 PART NO. DB91-XX0XXX00-R REV A.0

REV.	ECN.	DATE	DWN	APVD



POSITION	A ± 0.20	B ± 0.20	C ± 0.38	D
09 Pin	16.90	25.00	30.80	11.08
15 Pin	25.25	33.30	39.20	19.39
25 Pin	38.95	47.05	53.05	33.24
37 Pin	55.40	63.50	69.40	49.86

MATERIAL:

INSULATOR : PBT+30% GLASS FIBER (UL 94V-0).
 CONTACT : COPPER ALLOY
 CONTACT FINISH : GOLD OVER NICKEL
 SHELL : STEEL ,NICKEL PLATED
 BOARDLOCK : BRASS,TIN PLATED
 RIVETED INSERT : BRASS,NICKEL PLATED

SPECIFICATION:

CURRENT RATING : 5 AMP
 DIELECTRIC WITHSTANDING VOLTAGE : 1000V AC FOR 1 MINUTE.
 INSULATION RESISTANCE : 1000MΩ MIN. AT 500V DC.
 CONTACT RESISTANCE : 15mΩ MAX.
 OPERATING TEMPERATURE : -55°C ~ +105°C.

Order Information :

DB 9 1 - 0 9 1 A 1 B 1 0 0 - R
 1 2 3 4 5 6 7 8 9

1. SERIES NUMBER	DB91 : D-SUB RIGHT ANGLE 14.84mm MOUNT
2. POSITION	09 15 25 37
3. CONTACT TYPE	1 : MALE
4. CONTACT PLATING	1 : SELECTIVE GOLD 4 : SELECTIVE 15u" GOLD 6 : SELECTIVE 30u" GOLD A : FULL GOLD ©STANDARD : A
5. INSULATOR COLOR	1 : BLACK
6. INSULATOR MATERIAL	B : PBT C : NYLON
7. SHELL PLATING	1 : NICKEL
8. MATING AND MOUNTING OPTIONS	00 : 4-40 THREADED RIVETED W/BOARDLOCK ON LONG FLANGE 11 : BOARDLOCK AND JACK SCREWS ASSEMBLED ON LONG FLANGE SEE MOUNTING OPTION SHEET FOR OTHERS MOUNTING
9. GREEN PRODUCT	BLANK : NOT GREEN PRODUCT R : RoHS COMPLIANT

WEKANG CO., LTD.
 維鼎股份有限公司
 TEL:886-2-26436301 FAX:886-2-26432714

SIZE A4	UNIT mm	SCALE 2/1	SHEET 1 OF 1
---------	---------	-----------	--------------

GENERAL TOLERANCE
 X.X ± 0.25
 X.XX ± 0.15
 X.XXX ± 0.05
 ANGLE TOLERANCE ± 1°
 RADIUS ± 0.25
 HOLE ± 0.13

DRAWN. Peter
 CHECKED. HENRY
 APPROVED. HENRY

DATE 04 - 11 - 2005
 DATE 04 - 11 - 2005
 DATE 04 - 11 - 2005

DRAWING NO. DB91-XX1XXXX00-R W00001
 TITLE. D-SUB CONN RIGHT ANGLE , MALE FOOTPRINT : 14.84mm
 PART NO. DB91-XX1XXXX00-R REV A.0

00

#4-40UNC

4-40 THREADED RIVETED W/BOARDLOCK ON LONG FLANGE

01

4.8

#4-40UNC

4-40 THREADED RIVETED W/BOARDLOCK AND JACK SCREWS ON LONG FLANGE

11

4.8

#4-40UNC

BOARDLOCK AND JACK SCREWS ASSEMBLED ON LONG FLANGE

20

8

#4-40UNC

12

4-40 THREADED RIVETED W/0.315" BOARDLOCK ON SHORT FLANGE

30

#4-40UNC

4-40 THREADED RIVETED W/0.315" THROUGH HOLE ON LONG FLANGE

60

#4-40UNC

12

4-40 THREADED RIVETED W/0.315" THROUGH HOLE ON SHORT FLANGE