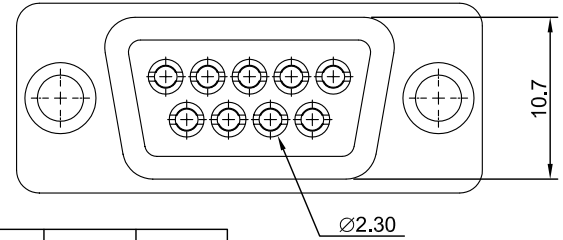
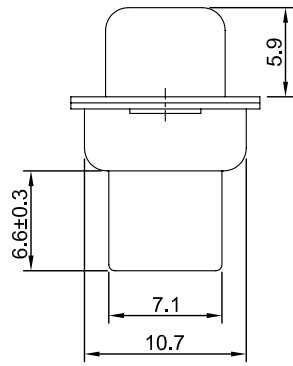
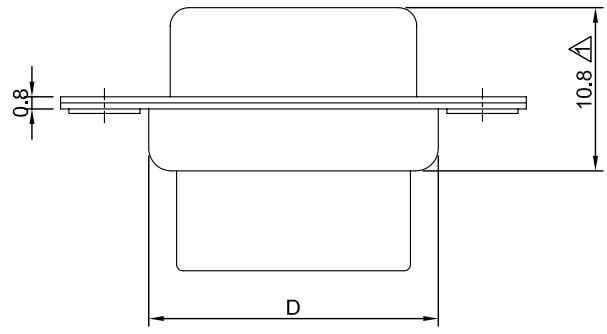
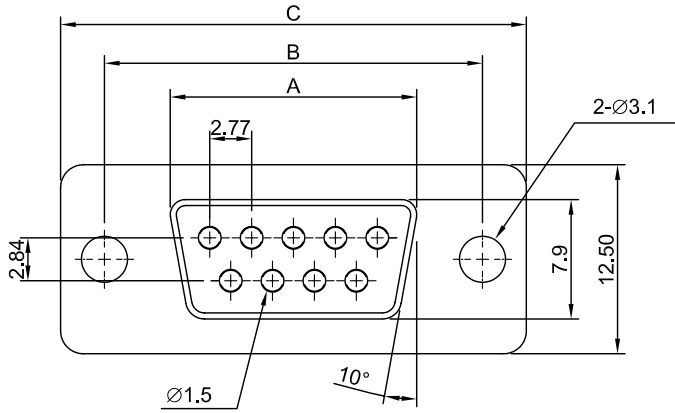


REV.	ECN.	DATE	DWN	APVD
A.1	ECN-080117-01	02/13/08	TRACY	HENRY



POSITION	A ± 0.20	B ± 0.20	C ± 0.38	D ± 0.20
09 PIN	16.30	25.00	30.80	19.15
15 PIN	24.60	33.30	39.20	27.60
25 PIN	38.35	47.05	53.05	41.10
37 PIN	54.80	63.50	69.40	57.40

MATERIAL:

FRONT INSULATOR : PBT, UL 94V-0.
 BACK INSULATOR : NYLON, UL 94V-0.
 SHELL : STEEL, NICKEL OR TIN PLATED.


SPECIFICATION:

INSULATION RESISTANCE : 1000MΩ MIN. AT 500V DC.
 OPERATING TEMPERATURE : -55°C ~ +105°C.

ORDER INFORMATION :

DB71 - 09 0 0 1 B 2 0 0 0 - R
 1 2 3 4 5 6 7 8 9 10

- | | |
|---|---|
| 1. SERIES:
09 15 25 37 | 7. PROCESS OPTION:
0=THRU. HOLE
1=4.0mm OPEN HEX RIVET
2=5.8mm OPEN HEX RIVET |
| 2. POSITION:
09 15 25 37 | 8. PARTS OPTION:
0=NON ACCESSORIES
1=REAR RIVET+FIXED
SCREWS 4.8X10.1mm
4=REAR RIVET 4#40
7=FRONT RIVET 4#40 |
| 3. CONTACT TYPE:
0=FEMALE
1=MALE | 9. INNER PACKAGE:
0=TRAY
3=PLASTIC BAG |
| 4. INSULATOR COLOR:
1=BLACK | 10. GREEN PRODUCT:
R=RoHS COMPLIANT |
| 5. FRONT INSULATOR MATERIAL:
B=PBT | |
| 6. SHELL PLATING:
2=TIN
3=ZINC
5=NICKEL(FRONT SHELL),
TIN(BACK SHELL) | |

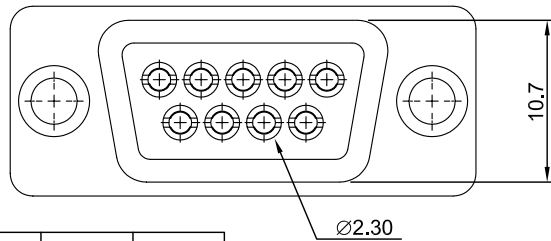
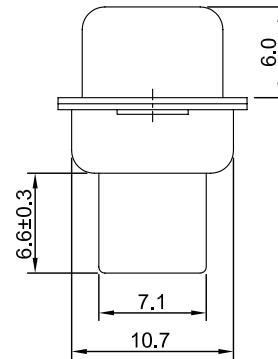
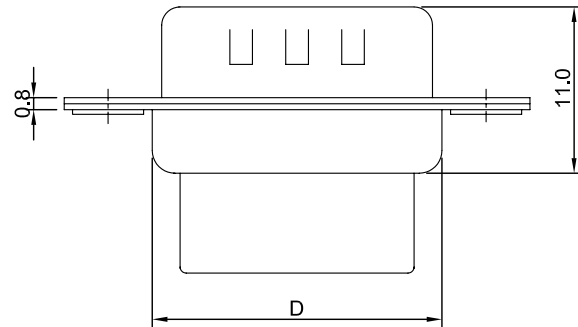
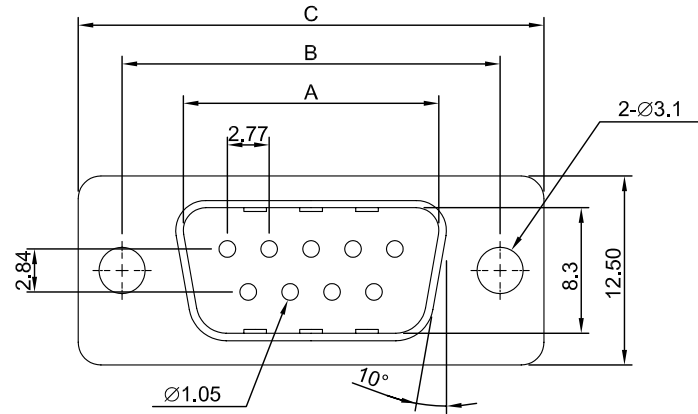
 **WEKANG CO., LTD.**
<http://www.wekang.com>

SIZE A4	UNIT mm	SCALE. 2 : 1	SHEET. 1 OF 1
------------	------------	-----------------	------------------

GENERAL TOLERANCE
 X.X ± 0.25
 X.XX ± 0.15
 X.XXX ± 0.05
 ANGLE TOLERANCE ± 1°
 RADIUS ± 0.25
 HOLE ± 0.13

DRAWN. JEAN	DATE 11 - 15 - 2005	DRAWING NO. C-DB0066	CUSTOMER DRAWING	
CHECKED. HENRY	DATE 11 - 23 - 2005	TITLE. D-SUB CRIMP TYPE FEMALE		
APPROVED. HENRY	DATE 11 - 23 - 2005	PART NO. DB71-XX0XXX00X-R	REV	A.1

REV.	ECN.	DATE	DWN	APVD
A.1	ECN-080117-01	02/13/08	TRACY	HENRY



POSITION	A ± 0.20	B ± 0.20	C ± 0.38	D ± 0.20
09 PIN	16.90	25.00	30.80	19.15
15 PIN	25.25	33.30	39.20	27.60
25 PIN	38.95	47.05	53.05	41.10
37 PIN	55.40	63.50	69.40	57.40

MATERIAL:

FRONT INSULATOR : PBT, UL 94V-0.

BACK INSULATOR : NYLON, UL 94V-0.

SHELL : STEEL, NICKEL OR TIN PLATED.

SPECIFICATION:

INSULATION RESISTANCE : 1000MΩ MIN. AT 500V DC.

OPERATING TEMPERATURE : -55°C ~ +105°C.

ORDER INFORMATION :

DB71 - 09 1 0 1 B 2 0 0 0 - R
 1 2 3 4 5 6 7 8 9 10

- | | |
|------------------------------|------------------------|
| 1. SERIES: | 7. PROCESS OPTION: |
| 2. POSITION: | 0=THRU. HOLE |
| 09 15 25 37 | 1=4.0mm OPEN HEX RIVET |
| 3. CONTACT TYPE: | 2=5.8mm OPEN HEX RIVET |
| 0=FEMALE | 8. PARTS OPTION: |
| 1=MALE | 0=NON ACCESSORIES |
| 4. INSULATOR COLOR: | 1=REAR RIVET+FIXED |
| 1=BLACK | SCREWS 4.8X10.1mm |
| 5. FRONT INSULATOR MATERIAL: | 4=REAR RIVET 4#40 |
| B=PBT | 7=FRONT RIVET 4#40 |
| 6. SHELL PLATING: | 9. INNER PACKAGE: |
| 2=TIN | 0=TRAY |
| 3=ZINC | 3=PLASTIC BAG |
| 5=NICKEL(FRONT SHELL), | 10. GREEN PRODUCT: |
| TIN(BACK SHELL) | R=RoHS COMPLIANT |



WEKANG CO., LTD.
<http://www.wekang.com>

GENERAL TOLERANCE
 X.X ± 0.25
 X.XX ± 0.15
 X.XXX ± 0.05
 ANGLE TOLERANCE ± 1°
 RADIUS ± 0.25
 HOLE ± 0.13

DRAWN. JEAN
 CHECKED. HENRY
 APPROVED. HENRY

DATE 11 - 15 - 2005
 DATE 11 - 23 - 2005
 DATE 11 - 23 - 2005

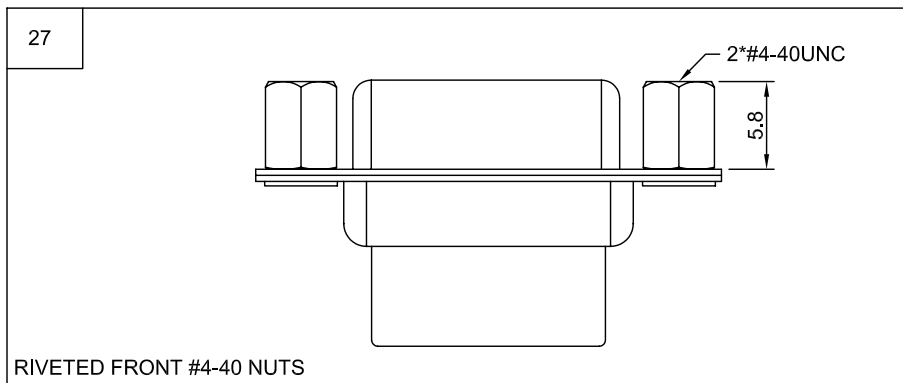
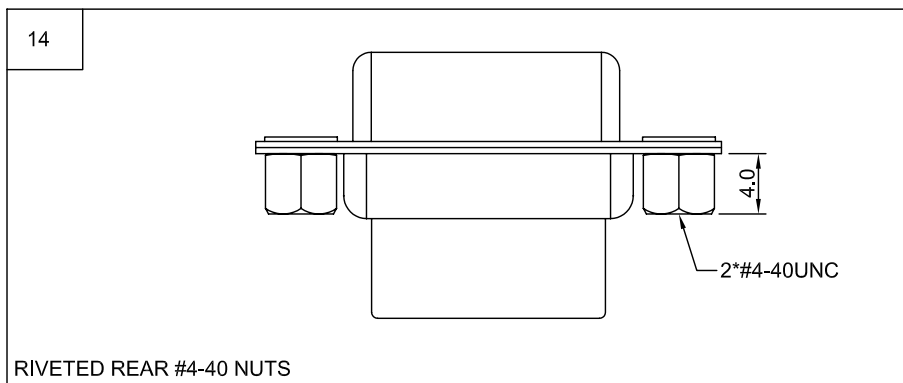
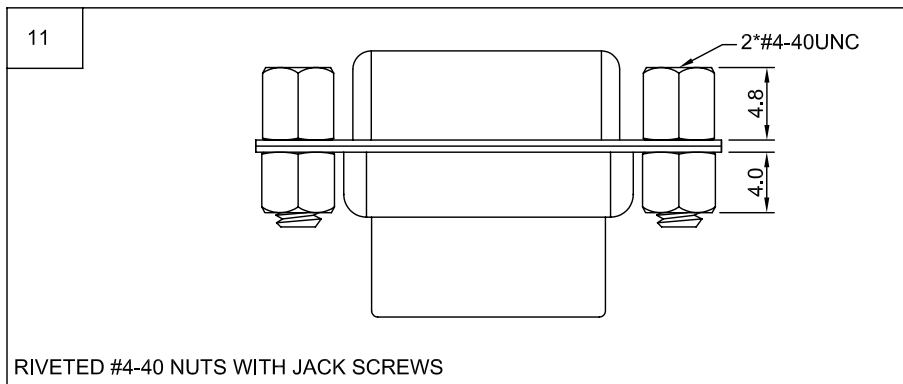
DRAWING NO. C-DB0067
 TITLE. D-SUB CRIMP TYPE MALE
 PART NO. DB71-XX1XXXX00X-R

CUSTOMER DRAWING

SIZE A4	UNIT mm	SCALE. 2 : 1	SHEET. 1 OF 1	
------------	------------	-----------------	------------------	--

REV A.1

REV.	ECN.	DATE	DWN	APVD
A.1	ECN-080117-01	02/13/08	TRACY	HENRY



WEKANG CO., LTD.
<http://www.wekang.com>

GENERAL TOLERANCE
 X.X ±0.25
 X.XX ±0.15
 X.XXX ±0.05
 ANGLE TOLERANCE ±1°
 RADIUS ±0.25
 HOLE ±0.13

DRAWN.	JEAN	DATE	11 - 15 - 2005
CHECKED.	HENRY	DATE	11 - 25 - 2005
APPROVED.	HENRY	DATE	11 - 25 - 2005

DRAWING NO.	C-DB0065	CUSTOMER DRAWING
TITLE.	D-SUB CONN CRIMP	
PART NO.	DB71-MOUNT	REV A.1

SIZE A4	UNIT mm	SCALE. 2 : 1	SHEET. 1 OF 1	
------------	------------	-----------------	------------------	--