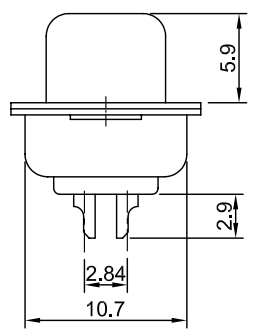
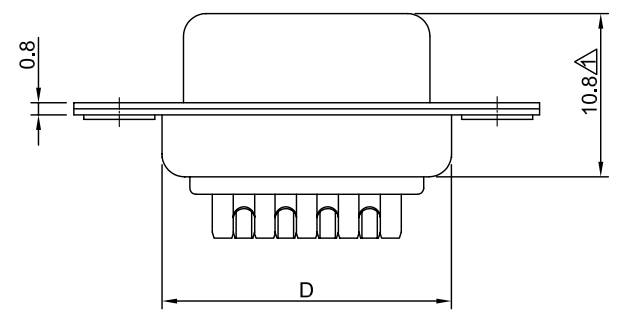
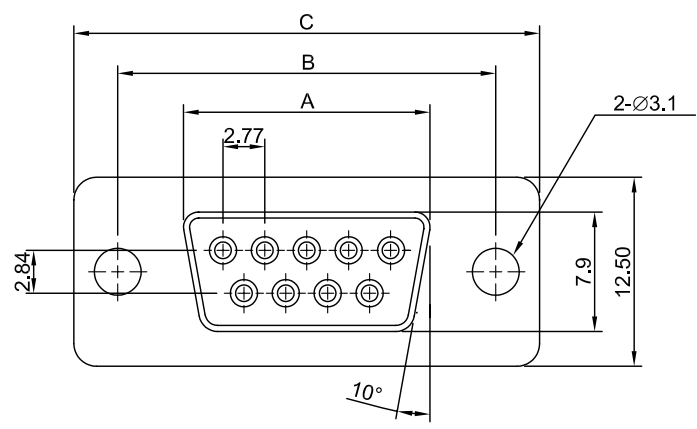


REV.	ECN.	DATE	DWN	APVD
A.1	ECN-080117-01	01/30/08	TRACY	HENRY



MATERIAL:

INSULATOR : PBT, UL 94V-0.
 CONTACT : COPPER ALLOY
 CONTACT FINISH : GOLD OVER NICKEL.
 SHELL : STEEL, NICKEL OR TIN PLATED.

SPECIFICATION:


CURRENT RATING : 5AMP.
 DIELECTRIC WITHSTANDING VOLTAGE : 1000V AC FOR 1 MINUTE.
 INSULATION RESISTANCE : 1000MΩ MIN. AT 500V DC.
 CONTACT RESISTANCE : 15mΩ MAX.
 OPERATING TEMPERATURE : -55°C ~ +105°C.

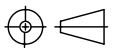
ORDER INFORMATION :

DB51 - 09 0 1 1 B 2 0 0 0 - R
 1 2 3 4 5 6 7 8 9 10 11

- | | |
|---|---|
| 1. SERIES:
09 15 25 37 | 7. SHELL PLATING:
2=TIN
3=ZINC
5=NICKEL(FRONT SHELL),
TIN(BACK SHELL) |
| 2. POSITION:
09 15 25 37 | 8. PROCESS OPTION:
0=THRU. HOLE
1=4.0mm OPEN HEX RIVET
2=5.8mm OPEN HEX RIVET
3=5.8mm CLOSE HEX RIVET
5=2.0mm OPEN HEX RIVET |
| 3. CONTACT TYPE/MATERIAL:
0=FEMALE/COPPER ALLOY
1=MALE/COPPER ALLOY | 9. PARTS OPTION:
0=NON ACCESSORIES
1=REAR RIVET+FIXED
SCREWS 4.8X10.1mm
4=REAR RIVET 4#40
7=FRONT RIVET 4#40 |
| 4. CONTACT PLATING:
1=SELECTIVE GOLD FLASH
4=SELECTIVE 15u" GOLD
6=SELECTIVE 30u" GOLD
A=FULL GOLD FLASH | 10. INNER PACKAGE:
0=TRAY
3=PLASTIC BAG |
| 5. INSULATOR COLOR:
0=WHITE
1=BLACK
7=BLUE
9=FOR PC99 COLOR
(9PIN=GREEN,15PIN=YELLOW,
25PIN=PURPLE) | 11. GREEN PRODUCT:
R=RoHS COMPLIANT |
| 6. INSULATOR MATERIAL:
B=PB | |

POSITION	A ± 0.20	B ± 0.20	C ± 0.38	D ± 0.20
09 PIN	16.30	25.00	30.80	19.15
15 PIN	24.60	33.30	39.20	27.60
25 PIN	38.35	47.05	53.05	41.10
37 PIN	54.80	63.50	69.40	57.40

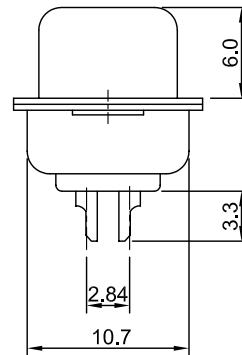
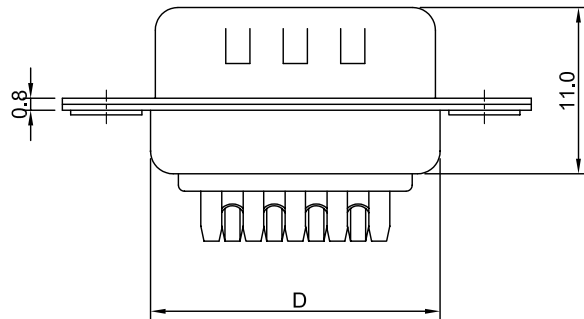
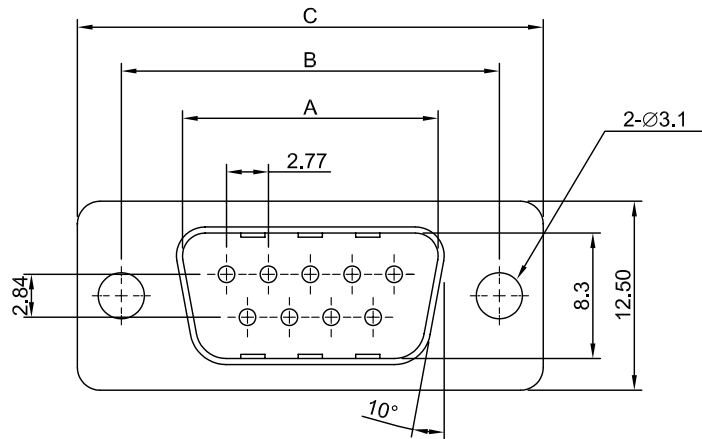
 **WEKANG CO., LTD.**
<http://www.wekang.com>

SIZE A4	UNIT mm	SCALE. 2 : 1	SHEET. 1 OF 1	
------------	------------	-----------------	------------------	---

GENERAL TOLERANCE
 X.X ± 0.25
 X.XX ± 0.15
 X.XXX ± 0.05
 ANGLE TOLERANCE ± 1°
 RADIUS ± 0.25
 HOLE ± 0.13

DRAWN. JEAN	DATE 11 - 15 - 2005	DRAWING NO. C-DB0063	CUSTOMER DRAWING	
CHECKED. HENRY	DATE 11 - 24 - 2005	TITLE. D-SUB SOLDER TYPE STAMPED CONTACTS FEMALE		
APPROVED. HENRY	DATE 11 - 24 - 2005	PART NO. DB51-XX0XXX00X-R	REV	A.1

REV.	ECN.	DATE	DWN	APVD
A.1	ECN-080117-01	02/13/08	TRACY	HENRY



MATERIAL:

INSULATOR : PBT, UL 94V-0.
 CONTACT : COPPER ALLOY
 CONTACT FINISH : GOLD OVER NICKEL.
 SHELL : STEEL, NICKEL OR TIN PLATED.

SPECIFICATION:

CURRENT RATING : 5AMP.
 DIELECTRIC WITHSTANDING VOLTAGE : 1000V AC FOR 1 MINUTE.
 INSULATION RESISTANCE : 1000MΩ MIN. AT 500V DC.
 CONTACT RESISTANCE : 15mΩ MAX.
 OPERATING TEMPERATURE : -55°C ~ +105°C.

ORDER INFORMATION :

DB51 - 09 1 1 1 B 2 0 0 0 - R
 1 2 3 4 5 6 7 8 9 10 11

- | | |
|---|---|
| 1. SERIES:
09 15 25 37 | 7. SHELL PLATING:
2=TIN
3=ZINC
5=NICKEL(FRONT SHELL),
TIN(BACK SHELL) |
| 2. POSITION:
09 15 25 37 | 8. PROCESS OPTION:
0=THRU. HOLE
1=4.0mm OPEN HEX RIVET
2=5.8mm OPEN HEX RIVET
3=5.8mm CLOSE HEX RIVET
5=2.0mm OPEN HEX RIVET |
| 3. CONTACT TYPE/MATERIAL:
0=FEMALE/COPPER ALLOY
1=MALE/COPPER ALLOY | 9. PARTS OPTION:
0=NON ACCESSORIES
1=REAR RIVET+FIXED
SCREWS 4.8X10.1mm
4=REAR RIVET 4#40
7=FRONT RIVET 4#40 |
| 4. CONTACT PLATING:
1=SELECTIVE GOLD FLASH
4=SELECTIVE 15u" GOLD
6=SELECTIVE 30u" GOLD
A=FULL GOLD FLASH | 10. INNER PACKAGE:
0=TRAY
3=PLASTIC BAG |
| 5. INSULATOR COLOR:
0=WHITE
1=BLACK
7=BLUE
9=FOR PC99 COLOR
(9PIN=GREEN,15PIN=YELLOW,
25PIN=PURPLE) | 11. GREEN PRODUCT:
R=RoHS COMPLIANT |
| 6. INSULATOR MATERIAL:
B=PBT | |

POSITION	A ± 0.20	B ± 0.20	C ± 0.38	D ± 0.20
09 PIN	16.90	25.00	30.80	19.15
15 PIN	25.25	33.30	39.20	27.60
25 PIN	38.95	47.05	53.05	41.10
37 PIN	55.40	63.50	69.40	57.40



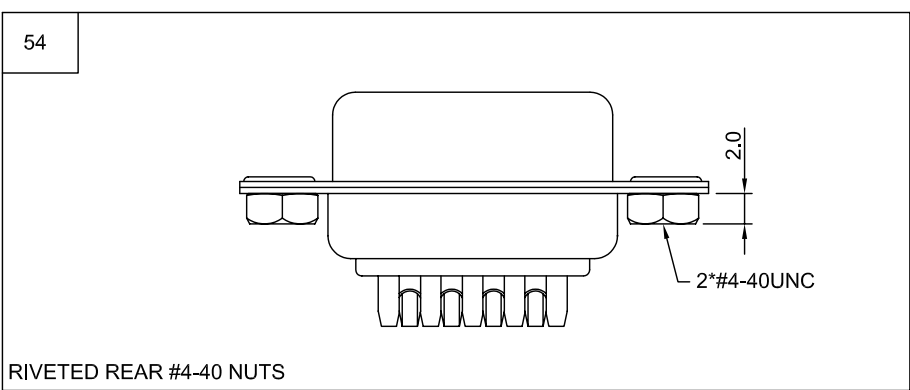
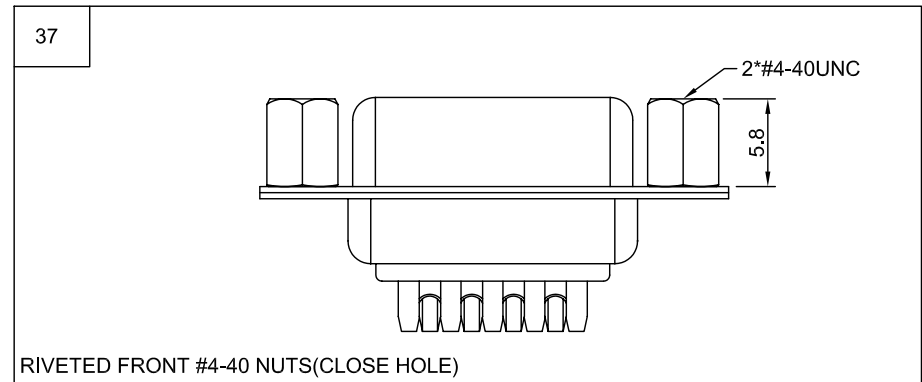
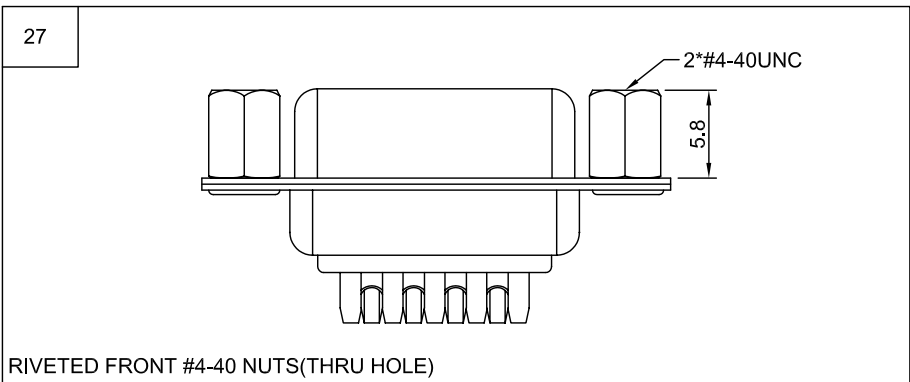
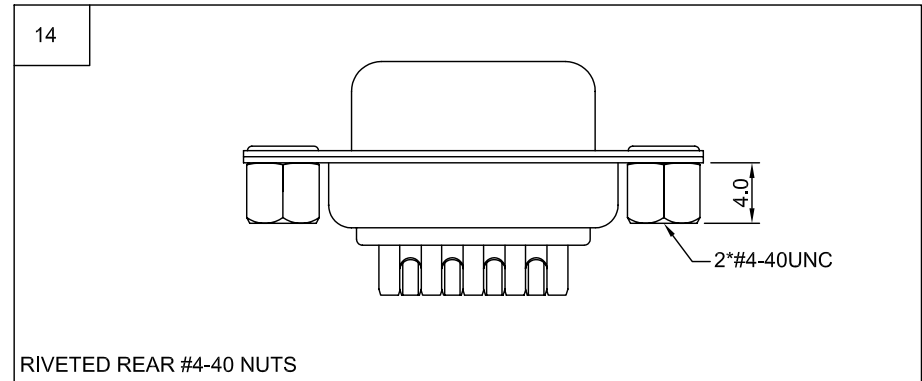
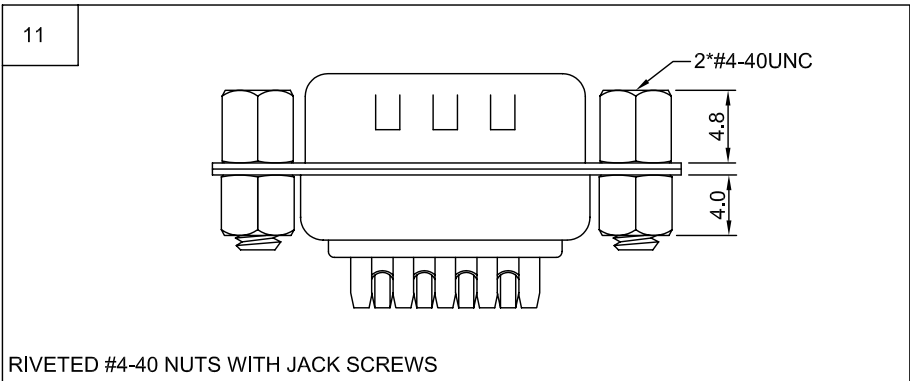
WEKANG CO., LTD.
<http://www.wekang.com>


GENERAL TOLERANCE
 X.X ± 0.25
 X.XX ± 0.15
 X.XXX ± 0.05
 ANGLE TOLERANCE ± 1°
 RADIUS ± 0.25
 HOLE ± 0.13

DRAWN.	JEAN	DATE	11 - 15 - 2005	DRAWING NO.	C-DB0064	CUSTOMER DRAWING
CHECKED.	HENRY	DATE	11 - 19 - 2005	TITLE.	D-SUB SOLDER TYPE STAMPED CONTACTS MALE	
APPROVED.	HENRY	DATE	11 - 19 - 2005	PART NO.	DB51-XX1XXXX00X-R	REV A.1

SIZE A4	UNIT mm	SCALE. 2 : 1	SHEET. 1 OF 1	
------------	------------	-----------------	------------------	--

REV.	ECN.	DATE	DWN	APVD
A.1	ECN-080117-01	01/30/08	TRACY	HENRY



 **WEKANG CO., LTD.**
<http://www.wekang.com>

SIZE A4	UNIT mm	SCALE. 2 : 1	SHEET. 1 OF 1
------------	------------	-----------------	------------------

GENERAL TOLERANCE
 X.X ± 0.25
 X.XX ± 0.15
 X.XXX ± 0.05
 ANGLE TOLERANCE ± 1°
 RADIUS ± 0.25
 HOLE ± 0.13

DRAWN. JEAN	DATE 11 - 15 - 2005	DRAWING NO. C-DB0062	CUSTOMER DRAWING	
CHECKED. HENRY	DATE 11 - 25 - 2005	TITLE. D-SUB CONN SOLDER		
APPROVED. HENRY	DATE 11 - 25 - 2005	PART NO. DB51-MOUNT	REV	A.1