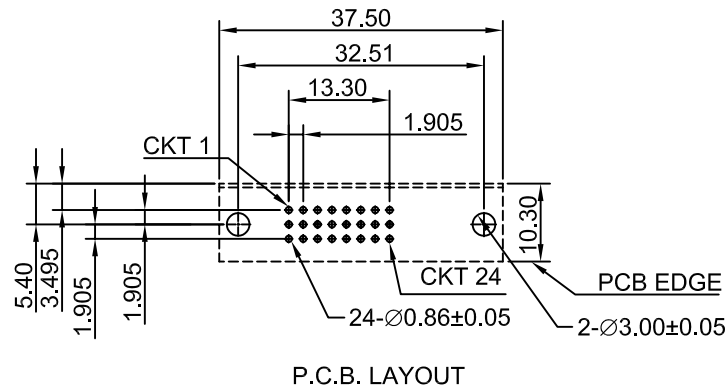
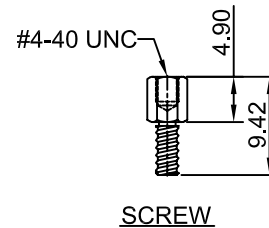
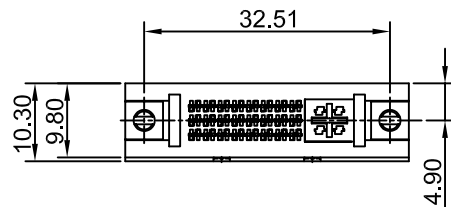
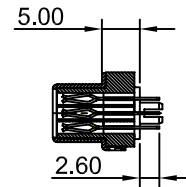
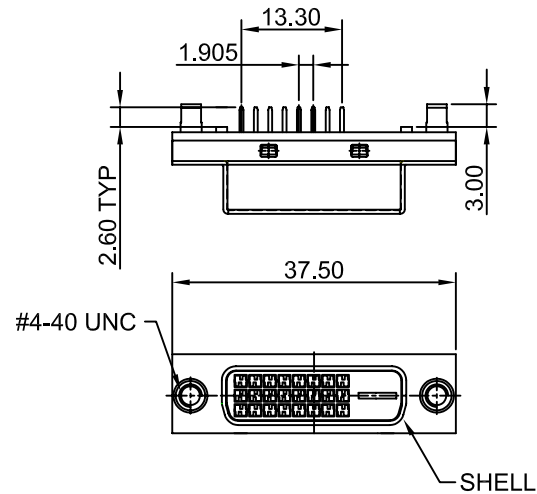


REV.	ECN.	DATE	DWN	APVD



MATERIAL:

INSULATOR : NYLON 66+30%GF UL94V-0
 CONTACT : COPPER ALLOY
 CONTACT FINISH : GOLD PLATING OVER NICKEL ON CONTACT AREA, TIN PLATING ON SOLDER TAIL.
 BOARDLOCK: BRASS, TIN PLATED

SPECIFICATION:

CURRENT RATING : 1.5 AMP
 DIELECTRIC WITHSTANDING : 500V DC RMS.
 INSULATION RESISTANCE : 1000 MΩ MIN.
 CONTACT RESISTANCE : 20mΩ MAX.
 OPERATING TEMPERATURE : -20°C ~ +85°C.

ORDER INFORMATION :

DV11 - 24 0 1 N C 1 0 0 - R
 1 2 3 4 5 6 7 8 9 10

- | | |
|------------------------|---------------------------|
| 1. SERIES NUMBER: | 7. SHELL PLATING: |
| 2. POSITION : | 1=NICKEL |
| 3. CONTACT TYPE: | 8.MOUNTING OPTION: |
| 0=FEMALE | 0=RIVET WITH BOARD LOCK, |
| 4. CONTACT PLATING: | 9. MATING OPTION: |
| 1=SELECTIVE GOLD FLASH | 0=4-40 THREADED RIVETED |
| 4=SELECTIVE 15u" GOLD | 1=4-40 THREADED AND FIXED |
| 6=SELECTIVE 30u" GOLD | SCREWS |
| 5. INSULATOR COLOR: | 7=4-40 THREADED AND LOOSE |
| N=NATURE | SCREWS |
| 6. INSULATOR MATERIAL: | 10. GREEN PRODUCT: |
| C=NYLON | R=RoHS COMPLIANT |



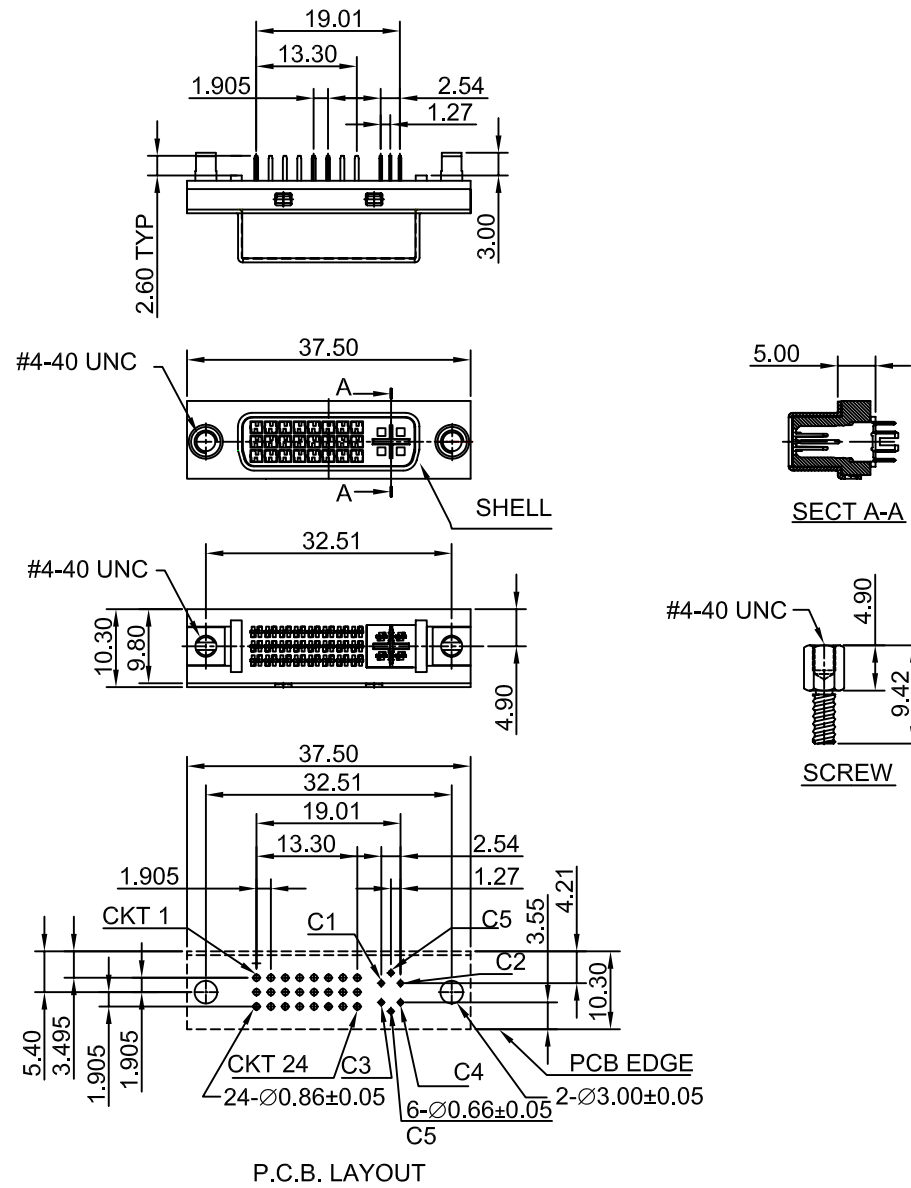
維鼎股份有限公司
 WEKANG CO., LTD.
 TEL:886-2-26436301 FAX:886-2-26432714

GENERAL TOLERANCE
 X.X ± 0.38
 X.XX ± 0.25
 X.XXX ± 0.20
 ANGLE TOLERANCE ± 3°

DRAWN.	TRACY	DATE	07 - 12 - 2006	DRAWING NO.	DV11-240XNC10X-R	C08012
CHECKED.	HENRY	DATE	07 - 31 - 2006	TITLE.	DVI CONN. PCB STRAIGHT TYPE 24 PIN FEMALE	
APPROVED.	HENRY	DATE	07 - 31 - 2006	PART NO.	DV11-240XNC10X-R	REV A.0

SIZE	UNIT	SCALE.	SHEET.	
A4	mm	1/1	1 OF 1	

REV.	ECN.	DATE	DWN	APVD



MATERIAL:

INSULATOR : NYLON 66+30%GF UL94V-0
CONTACT : COPPER ALLOY
CONTACT FINISH : GOLD PLATING OVER NICKEL ON CONTACT AREA, TIN PLATING ON SOLDER TAIL.
BOARDLOCK: BRASS, TIN PLATED

SPECIFICATION:

CURRENT RATING : 1.5 AMP
DIELECTRIC WITHSTANDING : 500V DC RMS.
INSULATION RESISTANCE : 1000 MΩ MIN.
CONTACT RESISTANCE : 20mΩ MAX.
OPERATING TEMPERATURE : -20°C ~ +85°C.

ORDER INFORMATION :

DV11 - 29 0 1 N C 1 0 0 - R
1 2 3 4 5 6 7 8 9 10

- | | |
|------------------------|---------------------------|
| 1. SERIES NUMBER: | 7. SHELL PLATING: |
| 2. POSITION: | 1=NICKEL |
| 3. CONTACT TYPE: | 8.MOUNTING OPTION: |
| 0=29 | 0=RIVET WITH BOARD LOCK, |
| 0=FEMALE | 9. MATING OPTION: |
| 4. CONTACT PLATING: | 0=4-40 THREADED RIVETED |
| 1=SELECTIVE GOLD FLASH | 1=4-40 THREADED AND FIXED |
| 4=SELECTIVE 15u" GOLD | SCREWS |
| 6=SELECTIVE 30u" GOLD | 7=4-40 THREADED AND LOOSE |
| 5. INSULATOR COLOR: | SCREWS |
| N=NATURE | 10. GREEN PRODUCT: |
| 6. INSULATOR MATERIAL: | R=RoHS COMPLIANT |
| C=NYLON | |

WEKANG CO., LTD.
TEL:886-2-26436301 FAX:886-2-26432714

SIZE A4 UNIT mm SCALE 1/1 SHEET 1 OF 1

GENERAL TOLERANCE
XX ± 0.38
X.XX ± 0.25
X.XXX ± 0.20
ANGLE TOLERANCE ± 3°

DRAWN. TRACY
CHECKED. HENRY
APPROVED. HENRY

DATE 07 - 12 - 2006
DATE 07 - 31 - 2006
DATE 07 - 31 - 2006

DRAWING NO. DV11-290XNC10X-R
TITLE. DVI CONN. PCB STRAIGHT TYPE 29 PIN FEMALE
PART NO. DV11-290XNC10X-R
REV A.0